

SECTION 7

EXPLODED VIEWS & REPLACEMENT PARTS LIST

Model No. : **AG-HPX300P, AG-HPX301E, AG-HPX302EN
AG-HPX303MC, AG-HPX304ER**


Note:

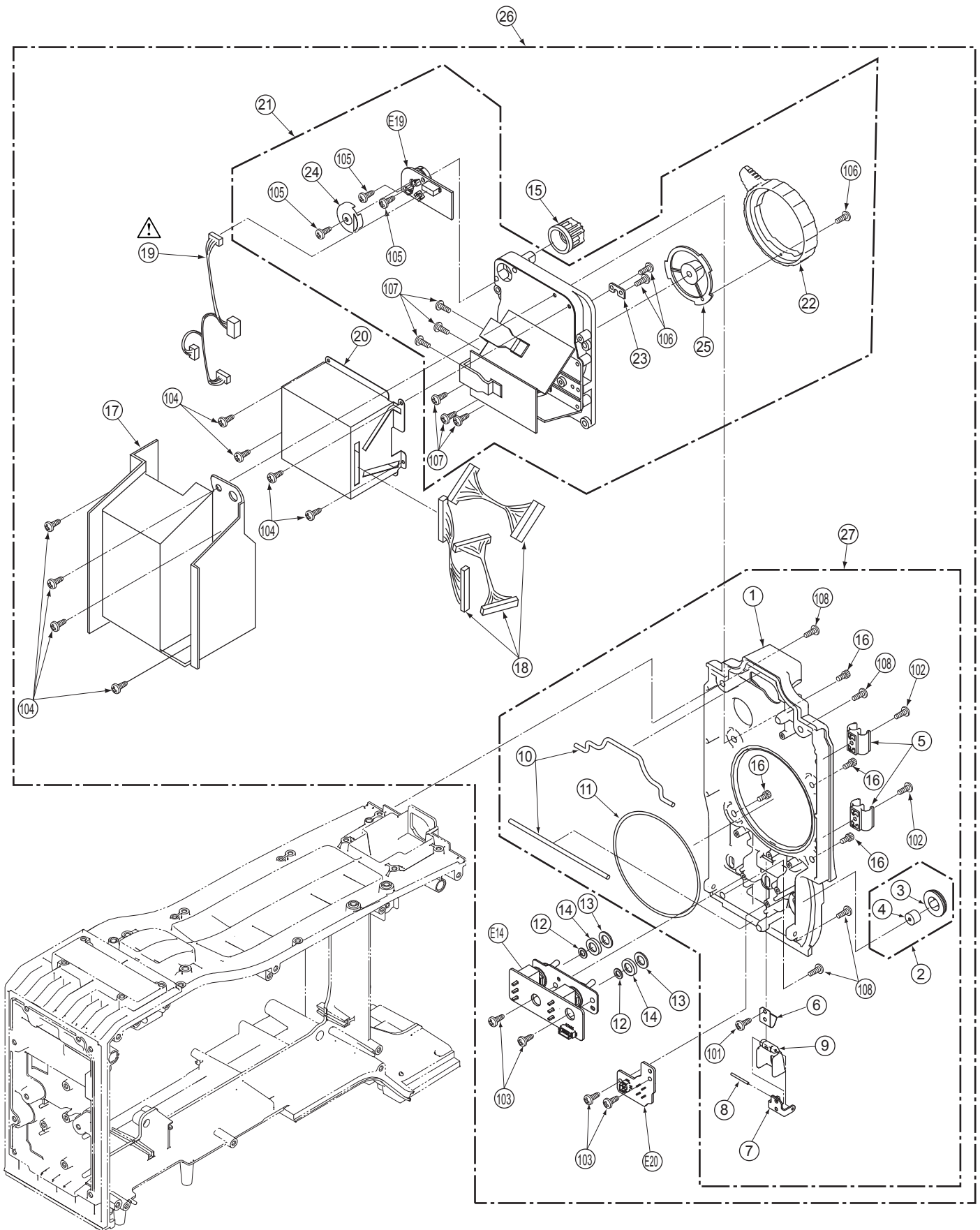
1. *Be sure to make your orders of replacement parts according to this list.
2. Unless otherwise specified, all resistors are in OHMS, K=1,000 OHMS, all capacitors are in MICROFARADS (μ F), P= μ μ F.
3. The P.C.Board unit marked with "■" shown below the main assembled parts.
4. The parts marked with ⊕ on the exploded view show the electric parts.
5. IMPORTANT SAFETY NOTICE
Components identified with the mark Δ have the special characteristics for safety, When replacing any of these components, use only the same type.
6. The marking (RTL) indicates the retention time is limited for this item.
After the discontinuation of this assembly in production, it will no longer be available.
7. "M" in Remark column indicates needed in the periodical maintenance.

CONTENTS

FRONT CASE PARTS ASSEMBLY	MPL-1
MAIN FRAME PARTS ASSEMBLY	MPL-3
SIDE CASE L PARTS ASSEMBLY	MPL-5
LCD PARTS ASSEMBLY	MPL-7
SIDE CASE R PARTS ASSEMBLY	MPL-9
REAR JACK & HANDLE PARTS ASSEMBLY	MPL-11
EVF PARTS ASSEMBLY	MPL-13
PACKING PARTS ASSEMBLY	MPL-15
ELECTRICAL REPLACEMENT PARTS LIST	EPL-1

FRONT CASE PARTS ASSEMBLY

Components identified with the mark  have the special characteristics for safety. When replacing any of these components, use only the same type.




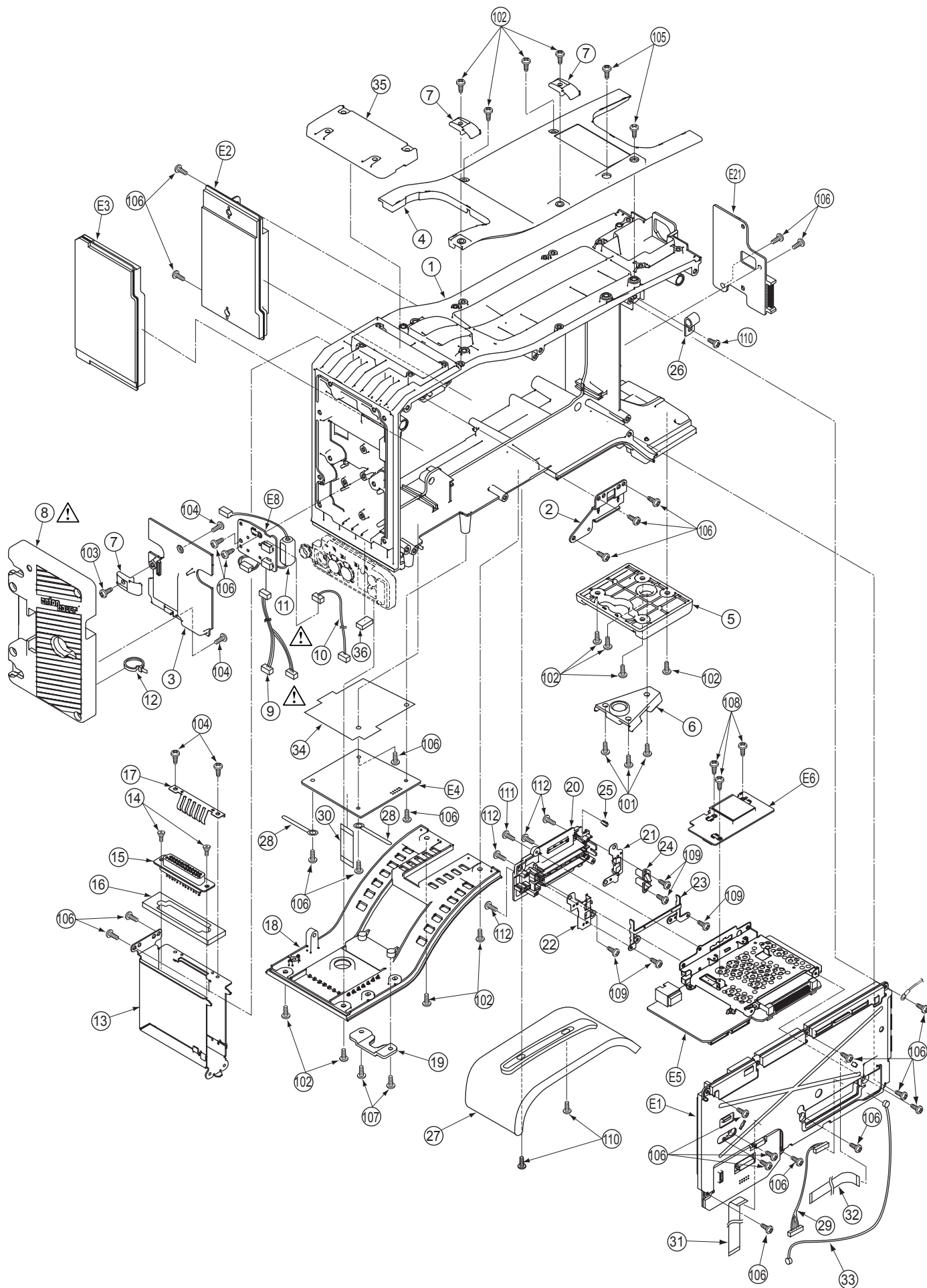
FRONT CASE PARTS ASSEMBLY

Components identified with the mark Δ have the special characteristics for safety. When replacing any of these components, use only the same type.


Ref. No.	Part No.	Part Name & Description	Pcs	Remarks	Ref. No.	Part No.	Part Name & Description	Pcs	Remarks
1	VGM2293	FRONT CASE	1						
2	VXU1620	RUBBER BUTTON ASS'Y	1						
3	VGU8346	RUBBER BUTTON	1						
4	VMX3299	RUBBER BUTTON SPACER	1						
5	VJF1256	CABLE CLAMPER	2						
6	VMC1210	FRONT DOOR SPRING	1						
7	VMP4850	FRONT DOOR ANGLE	1						
8	VMS4088	FRONT DOOR ANGLE PIN	1						
9	VKF2485	FRONT DOOR	1						
10	VMG0832	SHIELD TUBE	1						
11	VMG1877	SHIELD GASKET	1						
12	VMX1312	POLY WASHER	2						
13	VMG1140	RAIN COVER SPONGE	2						
14	VMT1432	WATERPROOF CUSHION	2						
15	VGUD098	ND FILTER DIAL	1						
16	VHD1950	MOUNT ANGLE	4						
17	VSC6153	SHADING COVER A	1						
18	VEE1F65	LVDS MOS CABLE	3						
Δ 19	VEE1F30	FRONT CABLE	1						
20	VSC6125	SHIELD CASE	1						
21	VYQ4879	HEAD OPTICAL U	1						
22	VDW1737	LENS MOUNT RING	1						
23	VMD6009	LENS GUIDE	1						
24	VDS0168	COVER DISK	1						
25	VKF2726	MOUNT CAP	1						
26	VEQ4560	CAMERA U	1						
27	VYK3F17	FRONT CASE U	1						
101	XYN2+J4FJ	SCREW	1						
102	XSB2+6FJK	SCREW	2						
103	XYN2+J6FJ	SCREW	4						
104	XYN2+J5FJ	SCREW	8						
105	XQN2+B6FJK	SCREW	3						
106	XQN2+A4FJK	SCREW	3						
107	XYN2+J5FJ	SCREW	6						
108	XSB3+8FJK	SCREW	4						
E14	VEP001Y5A	FRONT SW P. C. BOARD	1						
E19	VEP80D27A	POS SENSOR P. C. BOARD	1						
E20	VEP001Y6A	REC BUTTON P. C. BOARD	1						

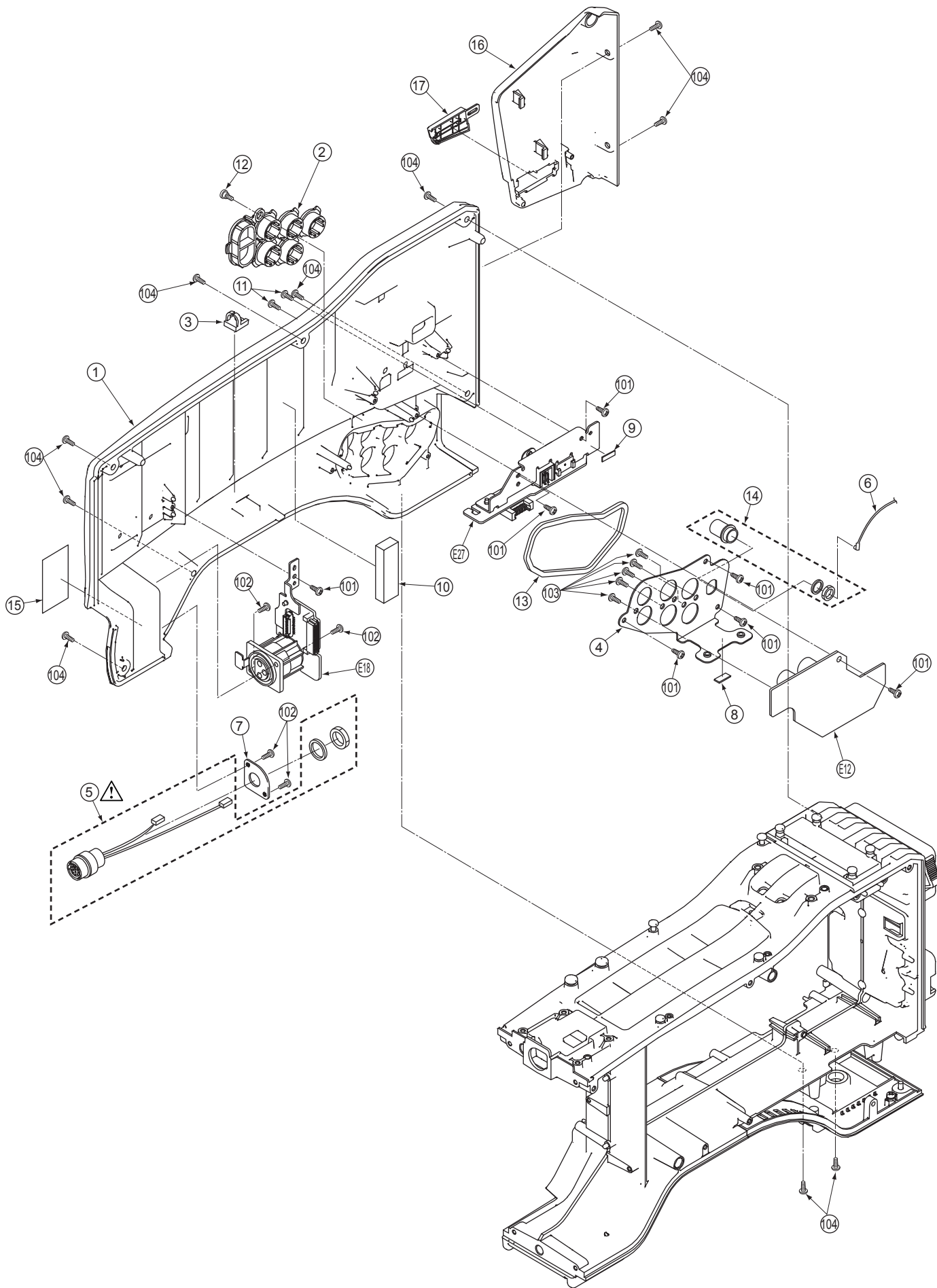
MAIN FRAME PARTS ASSEMBLY

Components identified with the mark  have the special characteristics for safety. When replacing any of these components, use only the same type.

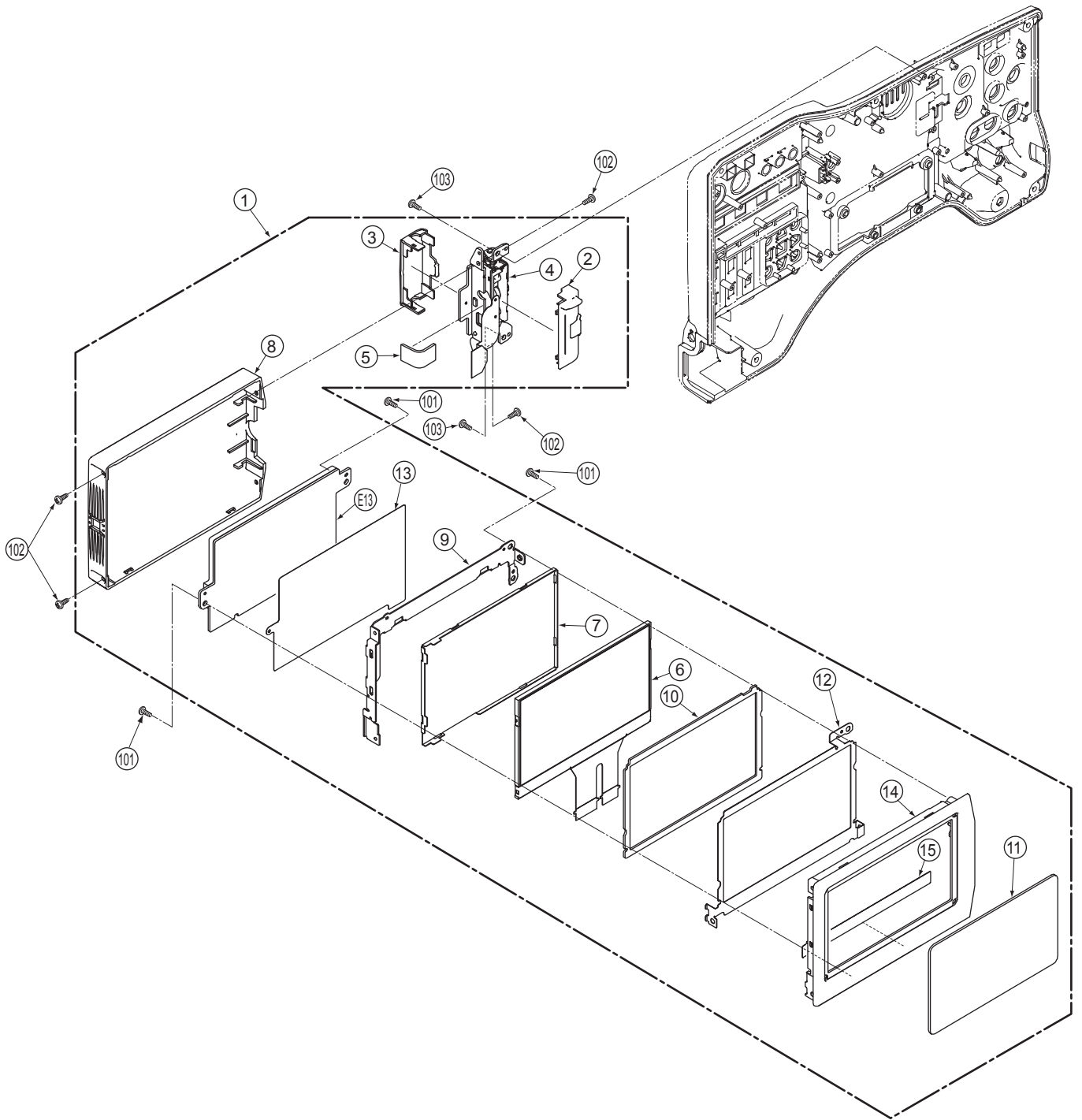


SIDE CASE L PARTS ASSEMBLY


Components identified with the mark  have the special characteristics for safety. When replacing any of these components, use only the same type.

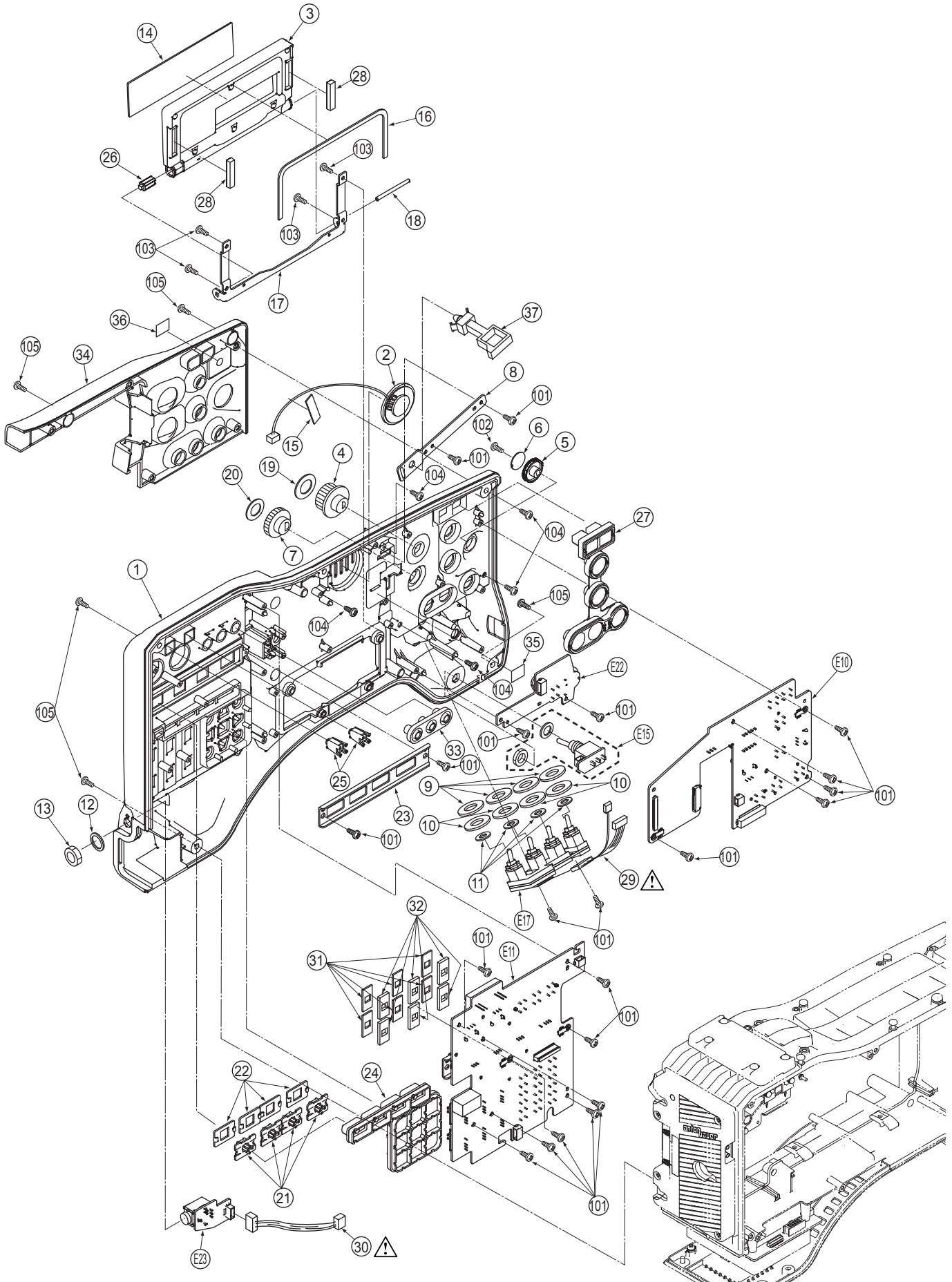


LCD PARTS ASSEMBLY




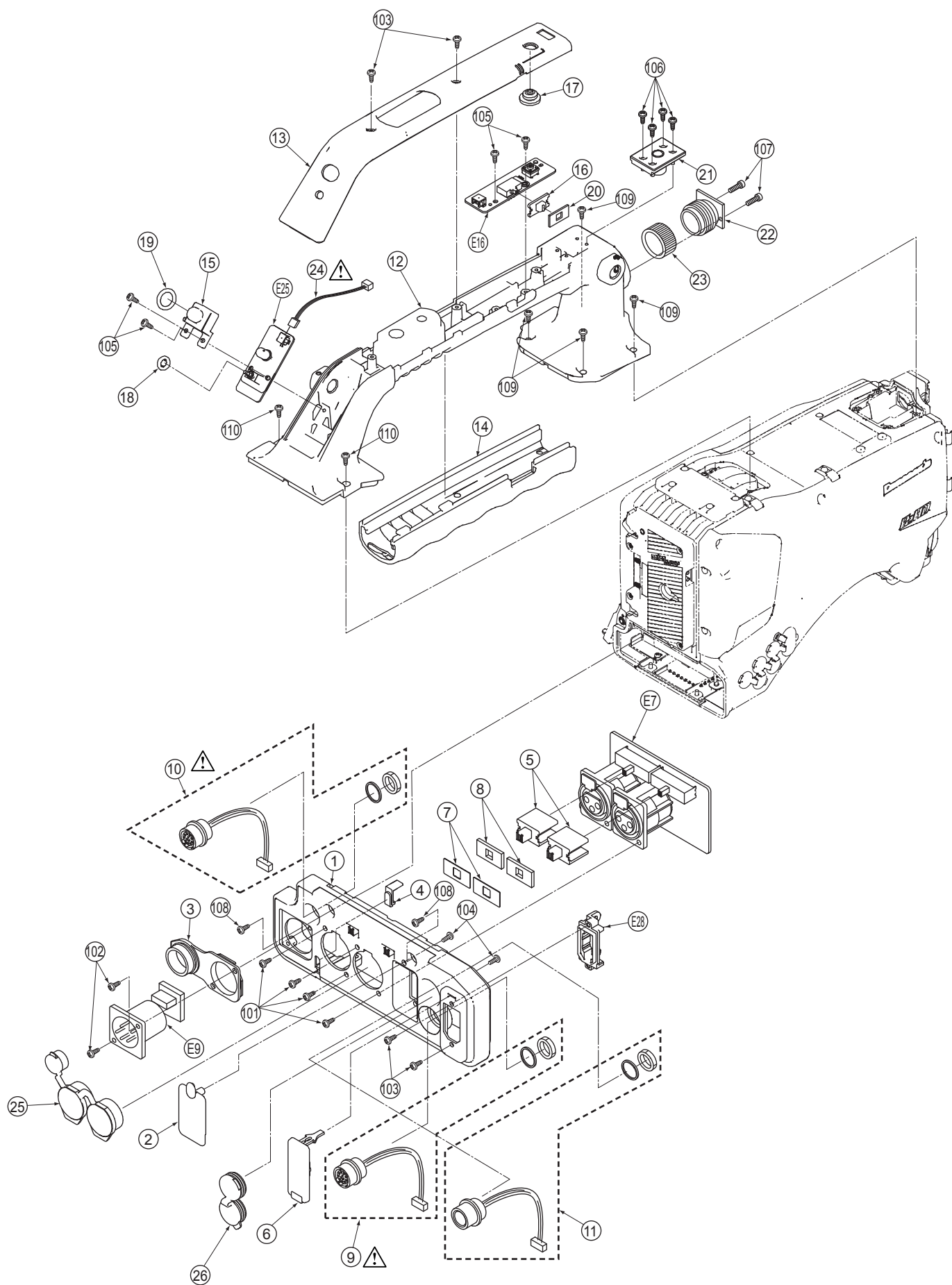
SIDE CASE R PARTS ASSEMBLY

Components identified with the mark  have the special characteristics for safety. When replacing any of these components, use only the same type.

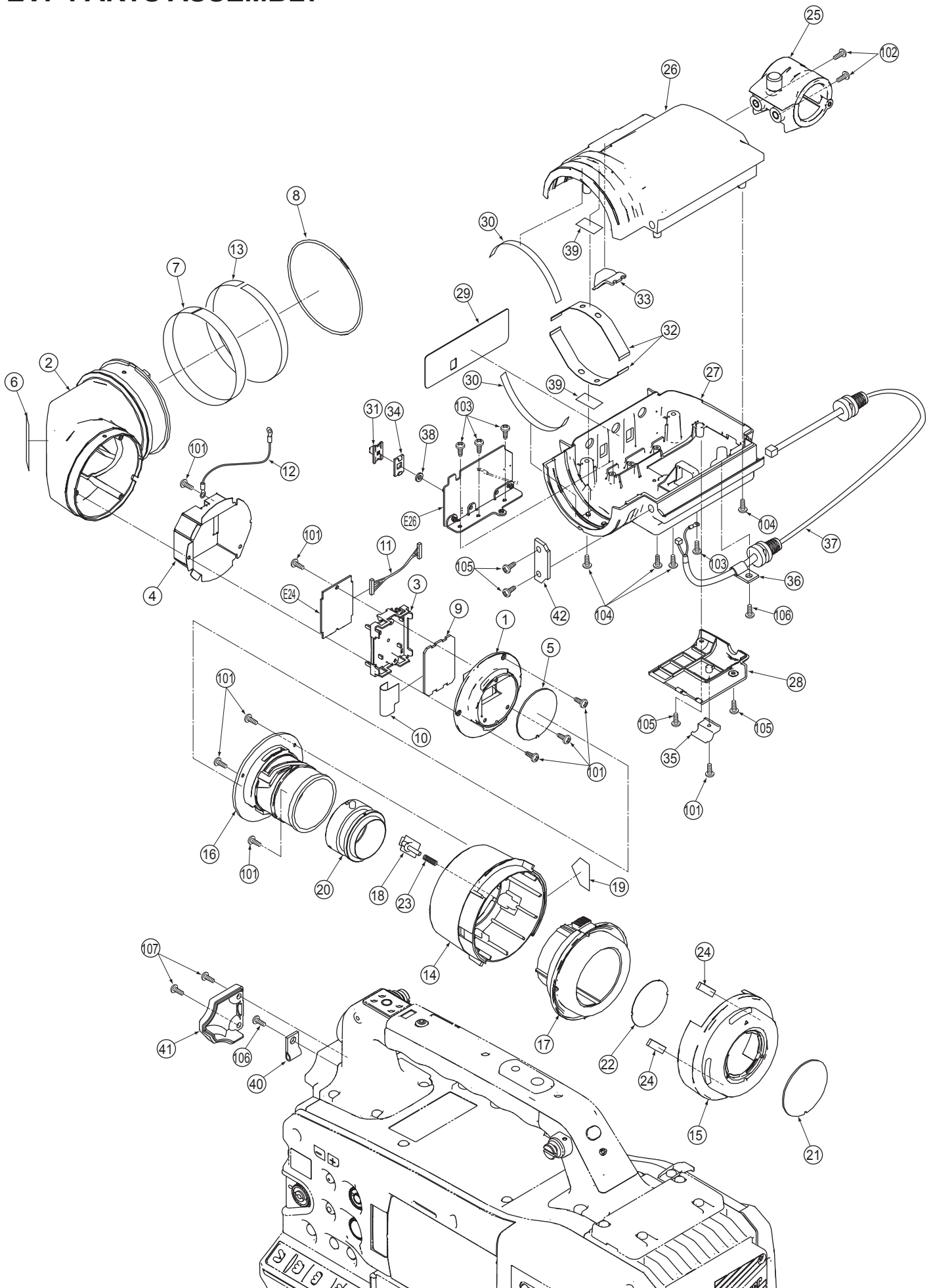


REAR JACK & HANDLE PARTS ASSEMBLY


Components identified with the mark  have the special characteristics for safety. When replacing any of these components, use only the same type.

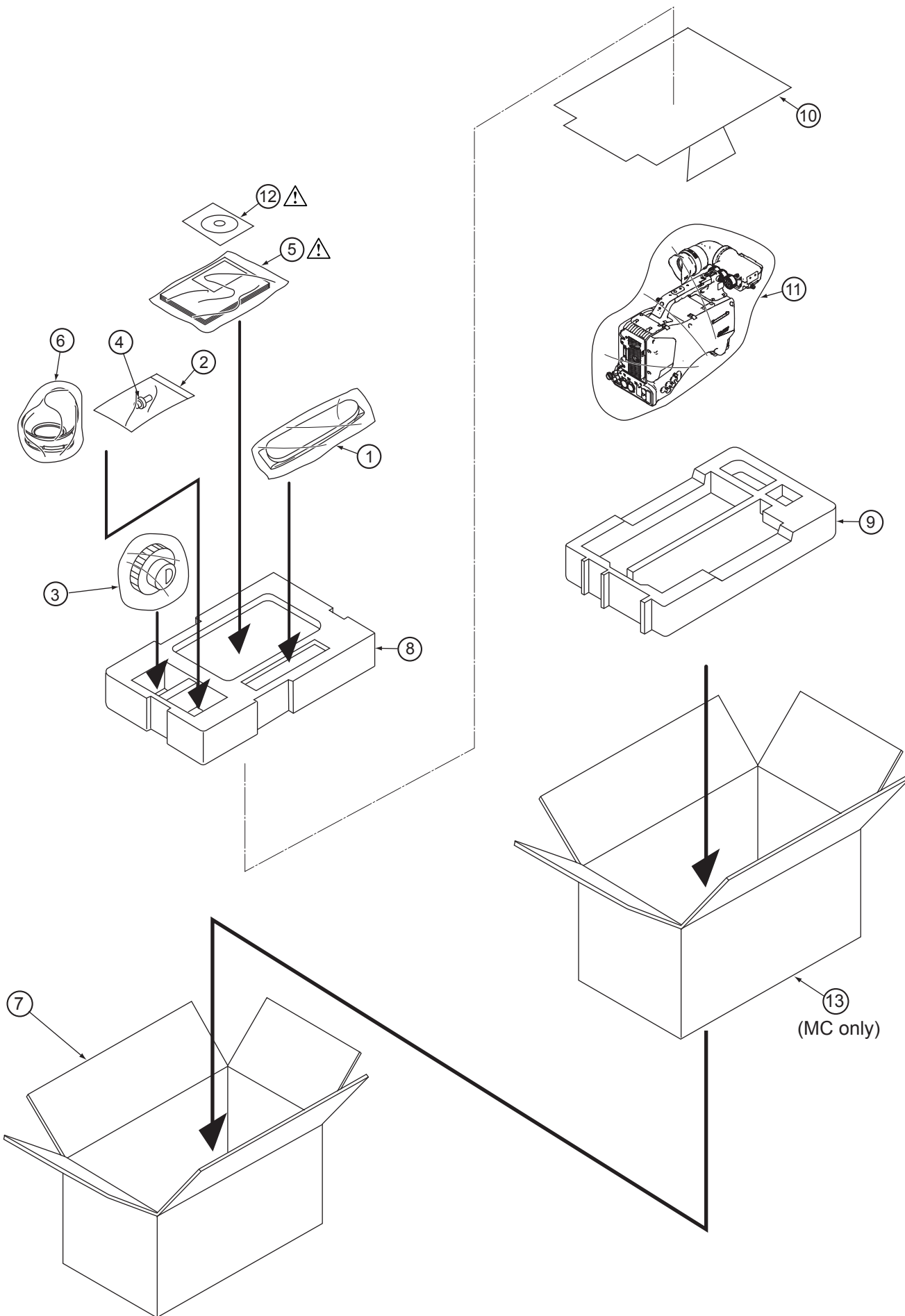


EVF PARTS ASSEMBLY



PACKING PARTS ASSEMBLY

Components identified with the mark  have the special characteristics for safety. When replacing any of these components, use only the same type.



ELECTRICAL REPLACEMENT PARTS LIST

Ref.No.	Part No.	Part Name & Description	Pcs	Remarks
■ E1	VEB0871A	DIGITAL MAIN P. C. BOARD	1	(RTL) FOR AG-HPX300P/302EN/303MC/304ER
■ E1	VEP03H68A	DIGITAL MAIN P. C. BOARD	1	(RTL) FOR AG-HPX301E
■ E2	VEP04944A	AUDIO P. C. BOARD	1	(RTL)
■ E3	VEP01A18A	POWER MAIN P. C. BOARD	1	(RTL)
■ E4	VEP01A19A	POWER SUB P. C. BOARD	1	(RTL)
■ E5	VEP03H69A	P2 CARD P. C. BOARD	1	(RTL)
■ E6	VEP001Y3A	SD CARD P. C. BOARD	1	(RTL)
■ E7	VEP04945A	REAR JACK P. C. BOARD	1	(RTL)
■ E8	VEP001Z5A	BATT IF P. C. BOARD	1	(RTL)
■ E9	VEP01A20A	DC IN P. C. BOARD	1	(RTL)
■ E10	VEP001Y7A	R SIDE1 P. C. BOARD	1	(RTL)
■ E11	VEP001Z2A	R SIDE2 P. C. BOARD	1	(RTL)
■ E12	VEP001Z3A	L SIDE JACK P. C. BOARD	1	(RTL)
■ E13	VEP08357A	LCD IF P. C. BOARD	1	(RTL)
■ E14	VEP001Y5A	FRONT SW P. C. BOARD	1	(RTL)
■ E15	VEP001Z4A	POWER SW P. C. BOARD	1	(RTL)
■ E16	VEP001Z6A	HANDLE SW P. C. BOARD	1	(RTL)
■ E17	VEP001Z1A	TOGGLE SW P. C. BOARD	1	(RTL)
■ E18	VEP04946A	F MIC P. C. BOARD	1	(RTL)
■ E19	VEP80D27A	POS SENSOR P. C. BOARD	1	(RTL)
■ E20	VEP001Y6A	REC BUTTON P. C. BOARD	1	(RTL)
■ E21	VEP001Y8A	RELAY P. C. BOARD	1	(RTL)
■ E22	VEP001Y9A	MENU P. C. BOARD	1	(RTL)
■ E23	VEP04947A	PHONE P. C. BOARD	1	(RTL)
■ E24	VEP08358A	EVF IF P. C. BOARD	1	(RTL)
■ E25	VEP001Z7A	HANDLE TALLY P. C. BOARD	1	(RTL)
■ E26	VEP08359A	EVF TALLY P. C. BOARD	1	(RTL)
■ E27	VEP001Z0A	USB CN P. C. BOARD	1	(RTL)
■ E28	VEP001Y4A	1394 CN P. C. BOARD	1	(RTL)

Ref.No.	Part No.	Part Name & Description	Pcs	Remarks
■ E1	VEB0871A	DIGITAL MAIN P. C. BOARD	1	(RTL) FOR AG-HPX300P/302EN/303MC/304ER
■ E1	VEP03H68A	DIGITAL MAIN P. C. BOARD	1	(RTL) FOR AG-HPX301E
C100	F1G1A1040006	C. CAPACITOR CH 10V 0.01U	1	
C102, 03	F1G1A1040006	C. CAPACITOR CH 10V 0.01U	2	
C104, 05	F1H1C105A118	C. CAPACITOR CH 16V 1U	2	
C106	F1G1H101A565	C. CAPACITOR CH 50V 100P	1	
C107-09	F1G1A1040006	C. CAPACITOR CH 10V 0.01U	3	
C110, 11	F1H1C105A118	C. CAPACITOR CH 16V 1U	2	
C114, 15	F1H1C105A118	C. CAPACITOR CH 16V 1U	2	
C117	F1G1H101A565	C. CAPACITOR CH 50V 100P	1	
C118, 19	F1G1A1040006	C. CAPACITOR CH 10V 0.01U	2	
C120, 21	F1J0J106A013	C. CAPACITOR CH6. 3V 10U	2	
C122	F1G1A1040006	C. CAPACITOR CH 10V 0.01U	1	
C124-26	F1G1A1040006	C. CAPACITOR CH 10V 0.01U	3	
C127, 28	F1H1C105A118	C. CAPACITOR CH 16V 1U	2	
C129	F1G1H101A565	C. CAPACITOR CH 50V 100P	1	
C130, 31	F1G1A1040006	C. CAPACITOR CH 10V 0.01U	2	
C132	ECJ0EB1H102K	C. CAPACITOR CH 50V 1000P	1	
C133	F1G1A1040006	C. CAPACITOR CH 10V 0.01U	1	
C134, 35	F1H1C105A118	C. CAPACITOR CH 16V 1U	2	
C137, 38	F1H1C105A118	C. CAPACITOR CH 16V 1U	2	
C139	F1G1H101A565	C. CAPACITOR CH 50V 100P	1	
C140, 41	F1G1A1040006	C. CAPACITOR CH 10V 0.01U	2	
C143, 44	F1G1A1040006	C. CAPACITOR CH 10V 0.01U	2	
C145, 46	F1H1C105A118	C. CAPACITOR CH 16V 1U	2	
C147	F1G1H101A565	C. CAPACITOR CH 50V 100P	1	
C148-50	F1G1A1040006	C. CAPACITOR CH 10V 0.01U	3	
C151, 52	F1H1C105A118	C. CAPACITOR CH 16V 1U	2	
C154, 55	F1H1C105A118	C. CAPACITOR CH 16V 1U	2	
C156	F1G1H101A565	C. CAPACITOR CH 50V 100P	1	
C157, 58	F1G1A1040006	C. CAPACITOR CH 10V 0.01U	2	
C159	F1H1C105A118	C. CAPACITOR CH 16V 1U	1	
C160, 61	F1G1A1040006	C. CAPACITOR CH 10V 0.01U	2	
C162	F1H1C105A118	C. CAPACITOR CH 16V 1U	1	
C163, 64	F1G1A1040006	C. CAPACITOR CH 10V 0.01U	2	
C165	F1H1C105A118	C. CAPACITOR CH 16V 1U	1	
C166, 67	F1G1A1040006	C. CAPACITOR CH 10V 0.01U	2	
C168	F1H1C105A118	C. CAPACITOR CH 16V 1U	1	
C169, 70	F1G1A1040006	C. CAPACITOR CH 10V 0.01U	2	
C171	F1H1C105A118	C. CAPACITOR CH 16V 1U	1	
C172, 73	F1G1A1040006	C. CAPACITOR CH 10V 0.01U	2	
C174	F1H1C105A118	C. CAPACITOR CH 16V 1U	1	
C175-78	F1G1A1040006	C. CAPACITOR CH 10V 0.01U	4	
C179	F1G1H101A565	C. CAPACITOR CH 50V 100P	1	
C180, 81	F1G1A1040006	C. CAPACITOR CH 10V 0.01U	2	
C182	F1G1H101A565	C. CAPACITOR CH 50V 100P	1	
C183, 84	F1G1A1040006	C. CAPACITOR CH 10V 0.01U	2	
C185	F1G1H101A565	C. CAPACITOR CH 50V 100P	1	
C186, 87	F1G1A1040006	C. CAPACITOR CH 10V 0.01U	2	
C200	F1G1H101A565	C. CAPACITOR CH 50V 100P	1	
C201	F1G1A1040006	C. CAPACITOR CH 10V 0.01U	1	
C400-04	F1G1A1040006	C. CAPACITOR CH 10V 0.01U	5	
C405	F1H1C105A118	C. CAPACITOR CH 16V 1U	1	
C406	F1J0J106A013	C. CAPACITOR CH6. 3V 10U	1	
C407-10	F1H1C105A118	C. CAPACITOR CH 16V 1U	4	
C411-14	F1G1A1040006	C. CAPACITOR CH 10V 0.01U	4	
C415	F1H1C105A118	C. CAPACITOR CH 16V 1U	1	
C416	F1J0J106A013	C. CAPACITOR CH6. 3V 10U	1	
C417-26	F1G1A1040006	C. CAPACITOR CH 10V 0.01U	10	
C428-31	F1G1A1040006	C. CAPACITOR CH 10V 0.01U	4	
C432	F1H1C105A118	C. CAPACITOR CH 16V 1U	1	
C433	F1L1A2260013	C. CAPACITOR CH 10V 22U	1	
C434-41	F1H1C105A118	C. CAPACITOR CH 16V 1U	8	
C443-46	F1H1C105A118	C. CAPACITOR CH 16V 1U	4	
C447-56	F1G1A1040006	C. CAPACITOR CH 10V 0.01U	10	
C458-61	F1G1A1040006	C. CAPACITOR CH 10V 0.01U	4	
C462-69	F1G1H101A565	C. CAPACITOR CH 50V 100P	8	
C471-77	F1G1H101A565	C. CAPACITOR CH 50V 100P	7	
C479	F1G1A1040006	C. CAPACITOR CH 10V 0.01U	1	
C480-82	F1G1H101A565	C. CAPACITOR CH 50V 100P	3	
C483-87	F1G1A1040006	C. CAPACITOR CH 10V 0.01U	5	
C488, 89	F1G1H101A565	C. CAPACITOR CH 50V 100P	2	
C490-95	F1G1A1040006	C. CAPACITOR CH 10V 0.01U	6	
C496, 97	F1G1H101A565	C. CAPACITOR CH 50V 100P	2	

Ref.No.	Part No.	Part Name & Description	Pcs	Remarks
C498-00	F1G1A1040006	C. CAPACITOR CH 10V 0.01U	3	
C501	F1H1C105A118	C. CAPACITOR CH 16V 1U	1	
C502	F1G1A1040006	C. CAPACITOR CH 10V 0.01U	1	
C505	F1G1H101A565	C. CAPACITOR CH 50V 100P	1	
C506	F1G1A1040006	C. CAPACITOR CH 10V 0.01U	1	
C507-14	F1G1H101A565	C. CAPACITOR CH 50V 100P	8	
C515-26	F1G1A1040006	C. CAPACITOR CH 10V 0.01U	12	
C527, 28	F1G1H101A565	C. CAPACITOR CH 50V 100P	2	
C530-33	F1G1H101A565	C. CAPACITOR CH 50V 100P	4	
C534, 35	F1G1A1040006	C. CAPACITOR CH 10V 0.01U	2	
C536, 37	F1G1H101A565	C. CAPACITOR CH 50V 100P	2	
C539	F1G1H101A565	C. CAPACITOR CH 50V 100P	1	
C541-44	F1G1A1040006	C. CAPACITOR CH 10V 0.01U	4	
C545, 46	F1G1H101A565	C. CAPACITOR CH 50V 100P	2	
C548-51	F1G1A1040006	C. CAPACITOR CH 10V 0.01U	4	
C553-55	F1G1A1040006	C. CAPACITOR CH 10V 0.01U	3	
C557-65	F1G1A1040006	C. CAPACITOR CH 10V 0.01U	9	
C600-03	F1G1A1040006	C. CAPACITOR CH 10V 0.01U	4	
C605, 06	F1G1A1040006	C. CAPACITOR CH 10V 0.01U	2	
C607	F1G1H101A565	C. CAPACITOR CH 50V 100P	1	
C608-14	F1G1A1040006	C. CAPACITOR CH 10V 0.01U	7	
C615	F1G1H101A565	C. CAPACITOR CH 50V 100P	1	
C616, 17	F1G1A1040006	C. CAPACITOR CH 10V 0.01U	2	
C618-23	F1G1H101A565	C. CAPACITOR CH 50V 100P	6	
C624	F1H1C105A118	C. CAPACITOR CH 16V 1U	1	
C627	ECJ0EC1H080C	C. CAPACITOR CH 50V 8P	1	
C628	ECJ0EC1H100D	C. CAPACITOR CH 50V 10P	1	
C629	F1G1H101A565	C. CAPACITOR CH 50V 100P	1	
C630	F1G1A1040006	C. CAPACITOR CH 10V 0.01U	1	
C632	F1G1H101A565	C. CAPACITOR CH 50V 100P	1	
C633	ECJ1VBOJ225K	C. CAPACITOR CH6.3V 2.2U	1	
C634	F1G1H101A565	C. CAPACITOR CH 50V 100P	1	
C635, 36	F1G1A1040006	C. CAPACITOR CH 10V 0.01U	2	
C638-40	F1G1H101A565	C. CAPACITOR CH 50V 100P	3	
C641, 42	F1G1A1040006	C. CAPACITOR CH 10V 0.01U	2	
C644, 45	F1G1A1040006	C. CAPACITOR CH 10V 0.01U	2	
C646	F1H1C105A118	C. CAPACITOR CH 16V 1U	1	
C648	F1G1A1040006	C. CAPACITOR CH 10V 0.01U	1	
C650-52	F1G1H101A565	C. CAPACITOR CH 50V 100P	3	
C653-55	F1G1A1040006	C. CAPACITOR CH 10V 0.01U	3	
C656	F1G1H101A565	C. CAPACITOR CH 50V 100P	1	
C657-61	F1G1A1040006	C. CAPACITOR CH 10V 0.01U	5	
C662	F1H1C105A118	C. CAPACITOR CH 16V 1U	1	
C663	F1G1A1040006	C. CAPACITOR CH 10V 0.01U	1	
C664	F1H1C105A118	C. CAPACITOR CH 16V 1U	1	
C665, 66	F1G1A1040006	C. CAPACITOR CH 10V 0.01U	2	
C667	F1H1C105A118	C. CAPACITOR CH 16V 1U	1	
C668	F1G1A1040006	C. CAPACITOR CH 10V 0.01U	1	
C671-73	F1G1A1040006	C. CAPACITOR CH 10V 0.01U	3	
C700	F1G1C104A083	C. CAPACITOR CH 16V 0.1U	1	
C702	F1H1C105A118	C. CAPACITOR CH 16V 1U	1	
C703	F1G1C104A083	C. CAPACITOR CH 16V 0.1U	1	
C705-07	F1G1A1040006	C. CAPACITOR CH 10V 0.01U	3	
C708	F1H1C105A118	C. CAPACITOR CH 16V 1U	1	
C709	ECJ0EB1H222K	C. CAPACITOR CH 50V 220P	1	
C710, 11	F1G1A1040006	C. CAPACITOR CH 10V 0.01U	2	
C713	F1G1A1040006	C. CAPACITOR CH 10V 0.01U	1	
C714	F1H1C105A118	C. CAPACITOR CH 16V 1U	1	
C716-18	F1G1A1040006	C. CAPACITOR CH 10V 0.01U	3	
C720	F1G1A1040006	C. CAPACITOR CH 10V 0.01U	1	
C721	F1H1C105A118	C. CAPACITOR CH 16V 1U	1	
C722	F1G1A1040006	C. CAPACITOR CH 10V 0.01U	1	
C723	F1H1C105A118	C. CAPACITOR CH 16V 1U	1	
C724	F1G1A1040006	C. CAPACITOR CH 10V 0.01U	1	
C726-29	F1G1A1040006	C. CAPACITOR CH 10V 0.01U	4	
C730	F1H1C105A118	C. CAPACITOR CH 16V 1U	1	
C731, 32	F1G1A1040006	C. CAPACITOR CH 10V 0.01U	2	
C733	F1G1C104A083	C. CAPACITOR CH 16V 0.1U	1	
C800	F1G1A1040006	C. CAPACITOR CH 10V 0.01U	1	
C803, 04	F1G1A1040006	C. CAPACITOR CH 10V 0.01U	2	
C805-12	F1G1H101A565	C. CAPACITOR CH 50V 100P	8	
C813-20	F1G1A1040006	C. CAPACITOR CH 10V 0.01U	8	
C821-28	F1H1C105A118	C. CAPACITOR CH 16V 1U	8	
C829-36	F1L1A4760003	C. CAPACITOR CH 16V 47U	8	
C837-40	F1H1C105A118	C. CAPACITOR CH 16V 1U	4	
C841, 42	F1G1A1040006	C. CAPACITOR CH 10V 0.01U	2	
C843, 44	F1H1C105A118	C. CAPACITOR CH 16V 1U	2	

Ref.No.	Part No.	Part Name & Description	Pcs	Remarks
C845, 46	F1G1A1040006	C. CAPACITOR CH 10V 0.01U	2	
C847, 48	F1H1C105A118	C. CAPACITOR CH 16V 1U	2	
C849, 50	F1G1A1040006	C. CAPACITOR CH 10V 0.01U	2	
C851, 52	F1H1C105A118	C. CAPACITOR CH 16V 1U	2	
C853-63	F1G1A1040006	C. CAPACITOR CH 10V 0.01U	11	
C864-66	F1G1H101A565	C. CAPACITOR CH 50V 100P	3	
C867	F1G1A1040006	C. CAPACITOR CH 10V 0.01U	1	
C868-70	F1G1H101A565	C. CAPACITOR CH 50V 100P	3	
C871-73	F1G1A1040006	C. CAPACITOR CH 10V 0.01U	3	
C874-76	F1G1H101A565	C. CAPACITOR CH 50V 100P	3	
C877-85	F1G1A1040006	C. CAPACITOR CH 10V 0.01U	9	
C886	F1G1H101A565	C. CAPACITOR CH 50V 100P	1	
C887-93	F1G1A1040006	C. CAPACITOR CH 10V 0.01U	7	
C894	F1G1H101A565	C. CAPACITOR CH 50V 100P	1	
C895-98	F1G1A1040006	C. CAPACITOR CH 10V 0.01U	4	
C899	F1G1H101A565	C. CAPACITOR CH 50V 100P	1	
C900-03	F1G1A1040006	C. CAPACITOR CH 10V 0.01U	4	
C904	F1H1C105A118	C. CAPACITOR CH 16V 1U	1	
C905, 06	F1G1A1040006	C. CAPACITOR CH 10V 0.01U	2	
C907	F1L1A2260013	C. CAPACITOR CH 10V 22U	1	
C908-13	F1G1A1040006	C. CAPACITOR CH 10V 0.01U	6	
C914	F1H1C105A118	C. CAPACITOR CH 16V 1U	1	
C915-19	F1G1A1040006	C. CAPACITOR CH 10V 0.01U	5	
C920	ECJ0EC1H181J	C. CAPACITOR CH 50V 180P	1	
C921	F1H1C105A118	C. CAPACITOR CH 16V 1U	1	
C922, 23	F1G1A1040006	C. CAPACITOR CH 10V 0.01U	2	
C925, 26	F1G1A1040006	C. CAPACITOR CH 10V 0.01U	2	
C927, 28	ECJ1VBOJ225K	C. CAPACITOR CH6.3V 2.2U	2	
C929	F1G1A1040006	C. CAPACITOR CH 10V 0.01U	1	
C930	F1H1C105A118	C. CAPACITOR CH 16V 1U	1	
C931-37	F1G1A1040006	C. CAPACITOR CH 10V 0.01U	7	
C938	F1G1H101A565	C. CAPACITOR CH 50V 100P	1	
C939, 40	F1G1A1040006	C. CAPACITOR CH 10V 0.01U	2	
C941, 42	F1H1C105A118	C. CAPACITOR CH 16V 1U	2	
C943, 44	F1G1H101A565	C. CAPACITOR CH 50V 100P	2	
C945, 46	F1H1C105A118	C. CAPACITOR CH 16V 1U	2	
C947	F1G1A1040006	C. CAPACITOR CH 10V 0.01U	1	
C948	F1G1H101A565	C. CAPACITOR CH 50V 100P	1	
C949, 50	F1G1A1040006	C. CAPACITOR CH 10V 0.01U	2	
C951, 52	F1H1C105A118	C. CAPACITOR CH 16V 1U	2	
C953-55	F1G1A1040006	C. CAPACITOR CH 10V 0.01U	3	
C956-63	F1G1H101A565	C. CAPACITOR CH 50V 100P	8	
C964	F1H1C105A118	C. CAPACITOR CH 16V 1U	1	
C965-70	F1G1H101A565	C. CAPACITOR CH 50V 100P	6	
C971	F1G1A1040006	C. CAPACITOR CH 10V 0.01U	1	
C972-77	F1G1H101A565	C. CAPACITOR CH 50V 100P	6	
C978-82	F1G1A1040006	C. CAPACITOR CH 10V 0.01U	5	
C1000-05	F1G1A1040006	C. CAPACITOR CH 10V 0.01U	6	
C1006-11	F1G1H101A565	C. CAPACITOR CH 50V 100P	6	
C1012-19	F1G1A1040006	C. CAPACITOR CH 10V 0.01U	8	
C1020	ECJ0EC1H080C	C. CAPACITOR CH 50V 8P	1	
C1021	F1G1A1040006	C. CAPACITOR CH 10V 0.01U	1	
C1022, 23	F1G1H101A565	C. CAPACITOR CH 50V 100P	2	
C1024	F1G1A1040006	C. CAPACITOR CH 10V 0.01U	1	
C1025	ECJ0EC1H080C	C. CAPACITOR CH 50V 8P	1	
C1026	F1G1A1040006	C. CAPACITOR CH 10V 0.01U	1	
C1027	F1G1H101A565	C. CAPACITOR CH 50V 100P	1	
C1028-30	F1G1A1040006	C. CAPACITOR CH 10V 0.01U	3	
C1031	F1G1H101A565	C. CAPACITOR CH 50V 100P	1	
C1032	F1G1A1040006	C. CAPACITOR CH 10V 0.01U	1	
C1033	F1G1H101A565	C. CAPACITOR CH 50V 100P	1	
C1034-36	F1G1A1040006	C. CAPACITOR CH 10V 0.01U	3	
C1037	F1G1H101A565	C. CAPACITOR CH 50V 100P	1	
C1038	F1G1A1040006	C. CAPACITOR CH 10V 0.01U	1	
C1039	F1G1H101A565	C. CAPACITOR CH 50V 100P	1	
C1040	F1G1A1040006	C. CAPACITOR CH 10V 0.01U	1	
C1046	F1G1A1040006	C. CAPACITOR CH 10V 0.01U	1	
C1047	F1G1H101A565	C. CAPACITOR CH 50V 100P	1	
C1048	F1G1A1040006	C. CAPACITOR CH 10V 0.01U	1	
C1100	F1G1A1040006	C. CAPACITOR CH 10V 0.01U	1	
C1101, 02	F1J0J106A013	C. CAPACITOR CH6.3V 10U	2	
C1103	F1G1A1040006	C. CAPACITOR CH 10V 0.01U	1	
C1104	F1H1C105A118	C. CAPACITOR CH 16V 1U	1	
C1105, 06	F1G1A1040006	C. CAPACITOR CH 10V 0.01U	2	
C1107	F1H1C105A118	C. CAPACITOR CH 16V 1U	1	
C1108	F1J0J106A013	C. CAPACITOR CH6.3V 10U	1	
C1109	F1G1A1040006	C. CAPACITOR CH 10V 0.01U	1	

Ref.No.	Part No.	Part Name & Description	Pcs	Remarks	Ref.No.	Part No.	Part Name & Description	Pcs	Remarks
C1110	F1J0J106A013	C. CAPACITOR CH6. 3V 10U	1		C1633, 34	F1G1H101A565	C. CAPACITOR CH 50V 100P	2	
C1111	F1G1A1040006	C. CAPACITOR CH 10V 0.01U	1		C1702	F1G1A1040006	C. CAPACITOR CH 10V 0.01U	1	
C1112-14	F1J0J106A013	C. CAPACITOR CH6. 3V 10U	3		C1703	F1H1C105A118	C. CAPACITOR CH 16V 1U	1	
C1115-19	F1G1A1040006	C. CAPACITOR CH 10V 0.01U	5		C1704	F1G1A1040006	C. CAPACITOR CH 10V 0.01U	1	
C1120, 21	F1H1C105A118	C. CAPACITOR CH 16V 1U	2		C1706-10	F1G1A1040006	C. CAPACITOR CH 10V 0.01U	5	
C1122-24	F1G1A1040006	C. CAPACITOR CH 10V 0.01U	3		C1711-14	F1H1C105A118	C. CAPACITOR CH 16V 1U	4	
C1125-27	F1H1C105A118	C. CAPACITOR CH 16V 1U	3		C1715	F1J0J106A013	C. CAPACITOR CH6. 3V 10U	1	
C1128-30	F1G1A1040006	C. CAPACITOR CH 10V 0.01U	3		C1716-19	F1G1A1040006	C. CAPACITOR CH 10V 0.01U	4	
C1131-33	F1H1C105A118	C. CAPACITOR CH 16V 1U	3		C1720	F1H1C105A118	C. CAPACITOR CH 16V 1U	1	
C1135, 36	F1H0J475A009	C. CAPACITOR CH6. 3V 4.7U	2		C1721	F1G1A1040006	C. CAPACITOR CH 10V 0.01U	1	
C1137, 38	F1G1E1030005	C. CAPACITOR CH 25V 0.01U	2		C1723	F1G1A1040006	C. CAPACITOR CH 10V 0.01U	1	
C1139	F1H1C105A118	C. CAPACITOR CH 16V 1U	1		C1724	F1G1H101A565	C. CAPACITOR CH 50V 100P	1	
C1140	F1G1A1040006	C. CAPACITOR CH 10V 0.01U	1		C1725-27	F1G1A1040006	C. CAPACITOR CH 10V 0.01U	3	
C1141	F1H1C105A118	C. CAPACITOR CH 16V 1U	1		C1729-31	F1G1A1040006	C. CAPACITOR CH 10V 0.01U	3	
C1142	F1G1E1030005	C. CAPACITOR CH 25V 0.01U	1		C1733-35	F1G1A1040006	C. CAPACITOR CH 10V 0.01U	3	
C1143, 44	F1H0J475A009	C. CAPACITOR CH6. 3V 4.7U	2		C1736	F1G1H101A565	C. CAPACITOR CH 50V 100P	1	
C1145	F1G1E1030005	C. CAPACITOR CH 25V 0.01U	1		C1737, 38	F1G1A1040006	C. CAPACITOR CH 10V 0.01U	2	
C1201	F1H1C105A118	C. CAPACITOR CH 16V 1U	1		C1739-50	F1G1H101A565	C. CAPACITOR CH 50V 100P	12	
C1206	F1H1C105A118	C. CAPACITOR CH 16V 1U	1		C1751-55	F1G1A1040006	C. CAPACITOR CH 10V 0.01U	5	
C1209	F1G1A1040006	C. CAPACITOR CH 10V 0.01U	1		C1757	F1J0J106A013	C. CAPACITOR CH6. 3V 10U	1	
C1210, 11	F1H1C105A118	C. CAPACITOR CH 16V 1U	2		C1758-60	F1H1C105A118	C. CAPACITOR CH 16V 1U	3	
C1213	F1H1C105A118	C. CAPACITOR CH 16V 1U	1		C1761-63	F1G1A1040006	C. CAPACITOR CH 10V 0.01U	3	
C1214, 15	F1G1A1040006	C. CAPACITOR CH 10V 0.01U	2		C1765	F1J0J106A013	C. CAPACITOR CH6. 3V 10U	1	
C1216, 17	F1L1C106A009	C. CAPACITOR CH 16V 10U	2		C1766-71	F1G1A1040006	C. CAPACITOR CH 10V 0.01U	6	
C1218-21	F1G1A1040006	C. CAPACITOR CH 10V 0.01U	4		C1772-75	F1H1C105A118	C. CAPACITOR CH 16V 1U	4	
C1228	F1G1A1040006	C. CAPACITOR CH 10V 0.01U	1		C1776-79	F1G1A1040006	C. CAPACITOR CH 10V 0.01U	4	
C1229	F1H1C105A118	C. CAPACITOR CH 16V 1U	1		C1780, 81	F1H1C105A118	C. CAPACITOR CH 16V 1U	2	
C1230, 31	F1G1A1040006	C. CAPACITOR CH 10V 0.01U	2		C1782-88	F1G1A1040006	C. CAPACITOR CH 10V 0.01U	7	
C1232	F1H1C105A118	C. CAPACITOR CH 16V 1U	1		C1790-00	F1G1A1040006	C. CAPACITOR CH 10V 0.01U	11	
C1233	F1G1A1040006	C. CAPACITOR CH 10V 0.01U	1		C1801	F1H1C105A118	C. CAPACITOR CH 16V 1U	1	
C1234, 35	ECJ0EC1H150J	C. CAPACITOR CH 50V 15P	2		C1802, 03	F1G1A1040006	C. CAPACITOR CH 10V 0.01U	2	
C1238-41	F1G1A1040006	C. CAPACITOR CH 10V 0.01U	4		C1805	F1G1H101A565	C. CAPACITOR CH 50V 100P	1	
C1244	F1G1E1030005	C. CAPACITOR CH 25V 0.01U	1		C1806	F1G1A1040006	C. CAPACITOR CH 10V 0.01U	1	
C1245	F1G1A1040006	C. CAPACITOR CH 10V 0.01U	1		C1807-14	F1G1H101A565	C. CAPACITOR CH 50V 100P	8	
C1246	F1G1E1030005	C. CAPACITOR CH 25V 0.01U	1		C1815-23	F1G1A1040006	C. CAPACITOR CH 10V 0.01U	9	
C1247	F1J0J106A013	C. CAPACITOR CH6. 3V 10U	1		C1824	F1H1C105A118	C. CAPACITOR CH 16V 1U	1	
C1248	F1G1A1040006	C. CAPACITOR CH 10V 0.01U	1		C1825	F1G1A1040006	C. CAPACITOR CH 10V 0.01U	1	
C1300-02	F1G1A1040006	C. CAPACITOR CH 10V 0.01U	3		C1828	F1G1H101A565	C. CAPACITOR CH 50V 100P	1	
C1303, 04	F1G1E1030005	C. CAPACITOR CH 25V 0.01U	2		C1829	F1G1A1040006	C. CAPACITOR CH 10V 0.01U	1	
C1305	F1H1C105A118	C. CAPACITOR CH 16V 1U	1		C1830-37	F1G1H101A565	C. CAPACITOR CH 50V 100P	8	
C1306-10	F1G1A1040006	C. CAPACITOR CH 10V 0.01U	5		C1838-45	F1G1A1040006	C. CAPACITOR CH 10V 0.01U	8	
C1311-13	F1G1E1030005	C. CAPACITOR CH 25V 0.01U	3		C1846-49	F1G1H101A565	C. CAPACITOR CH 50V 100P	4	
C1314-16	F1G1A1040006	C. CAPACITOR CH 10V 0.01U	3		C1850	F1G1A1040006	C. CAPACITOR CH 10V 0.01U	1	
C1321	F1G1A1040006	C. CAPACITOR CH 10V 0.01U	1		C1851	F1G1H101A565	C. CAPACITOR CH 50V 100P	1	
C1322	F1H1C105A118	C. CAPACITOR CH 16V 1U	1		C1853, 54	F1G1H101A565	C. CAPACITOR CH 50V 100P	2	
C1323, 24	F1G1A1040006	C. CAPACITOR CH 10V 0.01U	2		C1855	F1G1A1040006	C. CAPACITOR CH 10V 0.01U	1	
C1325	F1H1C105A118	C. CAPACITOR CH 16V 1U	1		C1856-65	F1G1H101A565	C. CAPACITOR CH 50V 100P	10	
C1326	F1G1A1040006	C. CAPACITOR CH 10V 0.01U	1		C1866	F1H1C105A118	C. CAPACITOR CH 16V 1U	1	
C1328, 29	F1G1A1040006	C. CAPACITOR CH 10V 0.01U	2		C1867, 68	F1G1A1040006	C. CAPACITOR CH 10V 0.01U	2	
C1400, 01	F1G1A1040006	C. CAPACITOR CH 10V 0.01U	2		C1873	F1G1A1040006	C. CAPACITOR CH 10V 0.01U	1	
C1402	F1H1C105A118	C. CAPACITOR CH 16V 1U	1		C1877	F1G1H101A565	C. CAPACITOR CH 50V 100P	1	
C1403	F1G1E1030005	C. CAPACITOR CH 25V 0.01U	1		C1900, 01	F1G1A1040006	C. CAPACITOR CH 10V 0.01U	2	
C1404	F1G1A1040006	C. CAPACITOR CH 10V 0.01U	1		C1902	F1H1C105A118	C. CAPACITOR CH 16V 1U	1	
C1405	F1G1E1030005	C. CAPACITOR CH 25V 0.01U	1		C1903	F1G1A1040006	C. CAPACITOR CH 10V 0.01U	1	
C1406	F1G1A1040006	C. CAPACITOR CH 10V 0.01U	1		C1904	F1H1C105A118	C. CAPACITOR CH 16V 1U	1	
C1407	F1G1E1030005	C. CAPACITOR CH 25V 0.01U	1		C1905	F1G1A1040006	C. CAPACITOR CH 10V 0.01U	1	
C1408-10	F1G1A1040006	C. CAPACITOR CH 10V 0.01U	3		C1906	F1H1C105A118	C. CAPACITOR CH 16V 1U	1	
C1411, 12	F1G1E1030005	C. CAPACITOR CH 25V 0.01U	2		C1907-09	F1G1A1040006	C. CAPACITOR CH 10V 0.01U	3	
C1413, 14	F1G1A1040006	C. CAPACITOR CH 10V 0.01U	2		C1910, 11	F1G1H101A565	C. CAPACITOR CH 50V 100P	2	
C1417	F1G1E1030005	C. CAPACITOR CH 25V 0.01U	1		C1912	F1G1A1040006	C. CAPACITOR CH 10V 0.01U	1	
C1418	F1G1A1040006	C. CAPACITOR CH 10V 0.01U	1		C1913	F1H1C105A118	C. CAPACITOR CH 16V 1U	1	
C1500, 01	F1G1A1040006	C. CAPACITOR CH 10V 0.01U	2		C1914	F1G1A1040006	C. CAPACITOR CH 10V 0.01U	1	
C1600	F1G1A1040006	C. CAPACITOR CH 10V 0.01U	1		C1915	F1H1C105A118	C. CAPACITOR CH 16V 1U	1	
C1601-04	F1G1E1030005	C. CAPACITOR CH 25V 0.01U	4		C1916	F1G1A1040006	C. CAPACITOR CH 10V 0.01U	1	
C1605, 06	F1G1A1040006	C. CAPACITOR CH 10V 0.01U	2		C1917	F1G1H101A565	C. CAPACITOR CH 50V 100P	1	
C1608, 09	F1G1A1040006	C. CAPACITOR CH 10V 0.01U	2		C1918	F1G1E1030005	C. CAPACITOR CH 25V 0.01U	1	
C1610	F1H1C105A118	C. CAPACITOR CH 16V 1U	1		C1919	F1G1H101A565	C. CAPACITOR CH 50V 100P	1	
C1611	F1G1A1040006	C. CAPACITOR CH 10V 0.01U	1		C1920-23	F1G1A1040006	C. CAPACITOR CH 10V 0.01U	4	
C1612	F1G1E1030005	C. CAPACITOR CH 25V 0.01U	1		C1924	F1G1H101A565	C. CAPACITOR CH 50V 100P	1	
C1613	F1G1A1040006	C. CAPACITOR CH 10V 0.01U	1		C1925	F1G1A1040006	C. CAPACITOR CH 10V 0.01U	1	
C1614, 15	F1H1C105A118	C. CAPACITOR CH 16V 1U	2		C1926	F1G1H101A565	C. CAPACITOR CH 50V 100P	1	
C1617-19	F1G1A1040006	C. CAPACITOR CH 10V 0.01U	3		C1927	F1G1A1040006	C. CAPACITOR CH 10V 0.01U	1	
C1620-22	F1H1C105A118	C. CAPACITOR CH 16V 1U	3		C1928	F1G1E1030005	C. CAPACITOR CH 25V 0.01U	1	
C1623, 24	F1G1A1040006	C. CAPACITOR CH 10V 0.01U	2		C1929	F1G1H101A565	C. CAPACITOR CH 50V 100P	1	
C1625	F1G1C104A083	C. CAPACITOR CH 16V 0.1U	1		C1930	ECJ0EC1H330J	C. CAPACITOR CH 50V 33P	1	
C1626	F1H1C105A118	C. CAPACITOR CH 16V 1U	1		C1931	F1G1A1040006	C. CAPACITOR CH 10V 0.01U	1	
C1627	F1G1C104A083	C. CAPACITOR CH 16V 0.1U	1		C1932	ECJ0EC1H120J	T. CAPACITOR CH 50V 12P	1	

Ref.No.	Part No.	Part Name & Description	Pcs	Remarks
C1933	F1G1A1040006	C. CAPACITOR CH 10V 0.01U	1	
C1934	F1G1E1030005	C. CAPACITOR CH 25V 0.01U	1	
C1935	F1G1H101A565	C. CAPACITOR CH 50V 100P	1	
C1936-39	F1G1A1040006	C. CAPACITOR CH 10V 0.01U	4	
C1940	F1G1H101A565	C. CAPACITOR CH 50V 100P	1	
C1941.42	F1G1A1040006	C. CAPACITOR CH 10V 0.01U	2	
C1943	F1H1C105A118	C. CAPACITOR CH 16V 1U	1	
C1944.45	F1G1A1040006	C. CAPACITOR CH 10V 0.01U	2	
C1946	F1G1H101A565	C. CAPACITOR CH 50V 100P	1	
C1947-49	F1G1A1040006	C. CAPACITOR CH 10V 0.01U	3	
C1950-53	F1G1H101A565	C. CAPACITOR CH 50V 100P	4	
C1954-56	F1G1A1040006	C. CAPACITOR CH 10V 0.01U	3	
C2000.01	ECJOEC1H070C	C. CAPACITOR CH 50V 7P	2	
C2003	F1G1A1040006	C. CAPACITOR CH 10V 0.01U	1	
C2004	F1H1C105A118	C. CAPACITOR CH 16V 1U	1	
C2006	F1H1C105A118	C. CAPACITOR CH 16V 1U	1	
C2008	F1G1A1040006	C. CAPACITOR CH 10V 0.01U	1	
C2009	F1H1C105A118	C. CAPACITOR CH 16V 1U	1	
C2010	F1G1A1040006	C. CAPACITOR CH 10V 0.01U	1	
C2011	F1G1H101A565	C. CAPACITOR CH 50V 100P	1	
C2012.13	F1G1A1040006	C. CAPACITOR CH 10V 0.01U	2	
C2014	F1H1C105A118	C. CAPACITOR CH 16V 1U	1	
C2015-26	F1G1H101A565	C. CAPACITOR CH 50V 100P	12	
C2027.28	F1H1C105A118	C. CAPACITOR CH 16V 1U	2	
C2029	F1G1A1040006	C. CAPACITOR CH 10V 0.01U	1	
C2030-35	F1G1H101A565	C. CAPACITOR CH 50V 100P	6	
C2036.37	F1G1A1040006	C. CAPACITOR CH 10V 0.01U	2	
C2038-43	F1G1H101A565	C. CAPACITOR CH 50V 100P	6	
C2044	F1G1A1040006	C. CAPACITOR CH 10V 0.01U	1	
C2045-48	F1G1H101A565	C. CAPACITOR CH 50V 100P	4	
C2049-61	F1G1A1040006	C. CAPACITOR CH 10V 0.01U	13	
C2062	F1G1H101A565	C. CAPACITOR CH 50V 100P	1	
C2063-69	F1G1A1040006	C. CAPACITOR CH 10V 0.01U	7	
C2070	F1G1H101A565	C. CAPACITOR CH 50V 100P	1	
C2071-80	F1G1A1040006	C. CAPACITOR CH 10V 0.01U	10	
C2081.82	F1H1C105A118	C. CAPACITOR CH 16V 1U	2	
C2083-86	F1G1A1040006	C. CAPACITOR CH 10V 0.01U	4	
C2200.01	F1G1A1040006	C. CAPACITOR CH 10V 0.01U	2	
C2202.03	F1H1C105A118	C. CAPACITOR CH 16V 1U	2	
C2204-11	F1G1A1040006	C. CAPACITOR CH 10V 0.01U	8	
C2212-19	F1G1H101A565	C. CAPACITOR CH 50V 100P	8	
C2220.21	F1G1A1040006	C. CAPACITOR CH 10V 0.01U	2	
C2222.23	F1H1C105A118	C. CAPACITOR CH 16V 1U	2	
C2224-31	F1G1A1040006	C. CAPACITOR CH 10V 0.01U	8	
C2232-39	F1G1H101A565	C. CAPACITOR CH 50V 100P	8	
C2240	F1G1A1040006	C. CAPACITOR CH 10V 0.01U	1	
C2241	F1H1C105A118	C. CAPACITOR CH 16V 1U	1	
C2242-45	F1G1A1040006	C. CAPACITOR CH 10V 0.01U	4	
C2246-54	F1G1H101A565	C. CAPACITOR CH 50V 100P	9	
C2300	F1G1H101A565	C. CAPACITOR CH 50V 100P	1	
C2301	F1G1A1040006	C. CAPACITOR CH 10V 0.01U	1	
C2302	F1G1H101A565	C. CAPACITOR CH 50V 100P	1	
C2303-06	F1G1A1040006	C. CAPACITOR CH 10V 0.01U	4	
C2307-11	F1G1H101A565	C. CAPACITOR CH 50V 100P	5	
C2312	F1G1A1040006	C. CAPACITOR CH 10V 0.01U	1	
C2313	ECJOEC1H070C	C. CAPACITOR CH 50V 7P	1	
C2314	ECJOEC1H060C	C. CAPACITOR CH 50V 6P	1	
C2315-19	F1G1H101A565	C. CAPACITOR CH 50V 100P	5	
C2320.21	F1G1A1040006	C. CAPACITOR CH 10V 0.01U	2	
C2323	ECJOEB1H271K	C. CAPACITOR CH 50V 270P	1	
C2324	F1G1A1040006	C. CAPACITOR CH 10V 0.01U	1	
C2326	F1H1C105A118	C. CAPACITOR CH 16V 1U	1	
C2327-29	F1G1A1040006	C. CAPACITOR CH 10V 0.01U	3	
C2330.31	F1H1C105A118	C. CAPACITOR CH 16V 1U	2	
C2332	F1G1A1040006	C. CAPACITOR CH 10V 0.01U	1	
C2333	F1H1C105A118	C. CAPACITOR CH 16V 1U	1	
C2334-36	F1G1A1040006	C. CAPACITOR CH 10V 0.01U	3	
C2337	F1H1C105A118	C. CAPACITOR CH 16V 1U	1	
C2338	F1G1A1040006	C. CAPACITOR CH 10V 0.01U	1	
C2340	F1L1A2260013	C. CAPACITOR CH 10V 22U	1	
C2400-02	F1G1A1040006	C. CAPACITOR CH 10V 0.01U	3	
C2403-05	F1H1C105A118	C. CAPACITOR CH 16V 1U	3	
C2406-09	F1G1A1040006	C. CAPACITOR CH 10V 0.01U	4	
C2410	F1L1C106A009	C. CAPACITOR CH 16V 10U	1	
C2411.12	F1J0J106A013	C. CAPACITOR CH 6V 3V 10U	2	
C2413	F1G1A1040006	C. CAPACITOR CH 10V 0.01U	1	
C2414	ECJ1VC1H561J	C. CAPACITOR CH 50V 560P	1	

Ref.No.	Part No.	Part Name & Description	Pcs	Remarks
C2415	ECJ1VC1H821J	C. CAPACITOR CH 50V 820P	1	
C2416	ECJOEC1H120J	T. CAPACITOR CH 50V 12P	1	
C2417.18	F1J0J106A013	C. CAPACITOR CH 6V 3V 10U	2	
C2419-21	F1G1A1040006	C. CAPACITOR CH 10V 0.01U	3	
C2501	F1G1A1040006	C. CAPACITOR CH 10V 0.01U	1	
C2502	F1H1C105A118	C. CAPACITOR CH 16V 1U	1	
C2503.04	F1G1A1040006	C. CAPACITOR CH 10V 0.01U	2	
C2505	ECJOEC1H330J	C. CAPACITOR CH 50V 33P	1	
C2506.07	ECJOEC1H070C	C. CAPACITOR CH 50V 7P	2	
C2508-32	F1G1A1040006	C. CAPACITOR CH 10V 0.01U	25	
C2533.34	F1H1C105A118	C. CAPACITOR CH 16V 1U	2	
C2535-40	F1G1H101A565	C. CAPACITOR CH 50V 100P	6	
C2541.42	F1G1A1040006	C. CAPACITOR CH 10V 0.01U	2	
C2543-55	F1G1H101A565	C. CAPACITOR CH 50V 100P	13	
C2556.57	F1G1A1040006	C. CAPACITOR CH 10V 0.01U	2	
C2558-61	F1J0J106A013	C. CAPACITOR CH 6V 3V 10U	4	
C2562.63	F1G1A1040006	C. CAPACITOR CH 10V 0.01U	2	
C2564.65	F1H1C105A118	C. CAPACITOR CH 16V 1U	2	
C2566-69	F1G1A1040006	C. CAPACITOR CH 10V 0.01U	4	
C2600.01	F1G1A1040006	C. CAPACITOR CH 10V 0.01U	2	
C2602.03	F1H1C105A118	C. CAPACITOR CH 16V 1U	2	
C2604-11	F1G1A1040006	C. CAPACITOR CH 10V 0.01U	8	
C2612-19	F1G1H101A565	C. CAPACITOR CH 50V 100P	8	
C2620.21	F1G1A1040006	C. CAPACITOR CH 10V 0.01U	2	
C2622.23	F1H1C105A118	C. CAPACITOR CH 16V 1U	2	
C2624-31	F1G1A1040006	C. CAPACITOR CH 10V 0.01U	8	
C2632-39	F1G1H101A565	C. CAPACITOR CH 50V 100P	8	
C2640.41	F1G1A1040006	C. CAPACITOR CH 10V 0.01U	2	
C2642	F1H1C105A118	C. CAPACITOR CH 16V 1U	1	
C2643-45	F1G1A1040006	C. CAPACITOR CH 10V 0.01U	3	
C2647-50	F1G1A1040006	C. CAPACITOR CH 10V 0.01U	4	
C2651	F1H1C105A118	C. CAPACITOR CH 16V 1U	1	
C2652	F1G1A1040006	C. CAPACITOR CH 10V 0.01U	1	
C2654	ECJOEC1H330J	C. CAPACITOR CH 50V 33P	1	
C2700-12	F1G1H101A565	C. CAPACITOR CH 50V 100P	13	
C2713	F1G1A1040006	C. CAPACITOR CH 10V 0.01U	1	
C2714	F1G1H101A565	C. CAPACITOR CH 50V 100P	1	
C2715-27	F1G1A1040006	C. CAPACITOR CH 10V 0.01U	13	
C2728	ECJOEC1H070C	C. CAPACITOR CH 50V 7P	1	
C2730	F1G1A1040006	C. CAPACITOR CH 10V 0.01U	1	
C2731	ECJOEC1H070C	C. CAPACITOR CH 50V 7P	1	
C2732	F1H1C105A118	C. CAPACITOR CH 16V 1U	1	
C2733	F1G1A1040006	C. CAPACITOR CH 10V 0.01U	1	
C2735	F1H1C105A118	C. CAPACITOR CH 16V 1U	1	
C2736	F1G1A1040006	C. CAPACITOR CH 10V 0.01U	1	
C2737	F1H1C105A118	C. CAPACITOR CH 16V 1U	1	
C2738	F1G1A1040006	C. CAPACITOR CH 10V 0.01U	1	
C2739	F1H1C105A118	C. CAPACITOR CH 16V 1U	1	
C2740-42	F1G1A1040006	C. CAPACITOR CH 10V 0.01U	3	
C2743	F1H1C105A118	C. CAPACITOR CH 16V 1U	1	
C2744	F1G1A1040006	C. CAPACITOR CH 10V 0.01U	1	
C2801.02	ECJOEC1H080C	C. CAPACITOR CH 50V 8P	2	
C2803-09	F1G1H101A565	C. CAPACITOR CH 50V 100P	7	
C2810	F1G1A1040006	C. CAPACITOR CH 10V 0.01U	1	
C2811	F1G1H101A565	C. CAPACITOR CH 50V 100P	1	
C2812	F1G1A1040006	C. CAPACITOR CH 10V 0.01U	1	
C2813	F1G1H101A565	C. CAPACITOR CH 50V 100P	1	
C2814	F1G1A1040006	C. CAPACITOR CH 10V 0.01U	1	
C2815.16	F1G1H101A565	C. CAPACITOR CH 50V 100P	2	
C2817.18	F1G1A1040006	C. CAPACITOR CH 10V 0.01U	2	
C2819	F1J1A335A003	C. CAPACITOR CH 10V 3.3U	1	
C2820-25	F1G1A1040006	C. CAPACITOR CH 10V 0.01U	6	
C2826	F1H1C105A118	C. CAPACITOR CH 16V 1U	1	
C2827.28	F1G1A1040006	C. CAPACITOR CH 10V 0.01U	2	
C2829.30	F1H1C105A118	C. CAPACITOR CH 16V 1U	2	
C2831-33	F1G1A1040006	C. CAPACITOR CH 10V 0.01U	3	
C2834	F1H1C105A118	C. CAPACITOR CH 16V 1U	1	
C2835-38	F1G1A1040006	C. CAPACITOR CH 10V 0.01U	4	
C2839	EEFUE0J151	E. CAPACITOR 6.3V 150P	1	
C2840	F1G1A1040006	C. CAPACITOR CH 10V 0.01U	1	
C2841.42	F1H1C105A118	C. CAPACITOR CH 16V 1U	2	
C2843	F1G1A1040006	C. CAPACITOR CH 10V 0.01U	1	
C2844	F1H1C105A118	C. CAPACITOR CH 16V 1U	1	
C3000-07	F1G1A1040006	C. CAPACITOR CH 10V 0.01U	8	
C3100	F1G1A1040006	C. CAPACITOR CH 10V 0.01U	1	
C3101	ECJOEB1C223K	C. CAPACITOR CH 16V 0.022U	1	
C3102	F1G1A1040006	C. CAPACITOR CH 10V 0.01U	1	

Ref.No.	Part No.	Part Name & Description	Pcs	Remarks	Ref.No.	Part No.	Part Name & Description	Pcs	Remarks
C3103	ECJOEB1C223K	C. CAPACITOR CH 16V 0.022U	1		IC607	COJBAZ002328	IC	1	
C3104	F1G1A1040006	C. CAPACITOR CH 10V 0.01U	1		IC608, 09	COJBAA000362	IC	2	
C3105	ECJOEB1C223K	C. CAPACITOR CH 16V 0.022U	1		IC701	COFBAG000068	IC	1	
C3106	F1G1A1040006	C. CAPACITOR CH 10V 0.01U	1		IC702, 03	COABGA000007	IC	2	
C3107	ECJOEB1C223K	C. CAPACITOR CH 16V 0.022U	1		IC704	COJBAB000621	IC	1	
C3108	F1G1A1040006	C. CAPACITOR CH 10V 0.01U	1		IC705-07	COJBAB000686	IC	3	
C3109	ECJOEB1C223K	C. CAPACITOR CH 16V 0.022U	1		IC708	COFBFY000055	IC	1	
C3111	F1G1A1040006	C. CAPACITOR CH 10V 0.01U	1		IC709	SN75C1168NS	IC	1	
C3113	F1G1H101A565	C. CAPACITOR CH 50V 100P	1		IC710	COJBAA000362	IC	1	
C3115-17	F1G1A1040006	C. CAPACITOR CH 10V 0.01U	3		IC711	COABBA000025	IC	1	
C3202	ECJOEC1H120J	T. CAPACITOR CH 50V 12P	1		IC800	C1ZBZ0003923	IC	1	
C3204	ECJOEC1H120J	T. CAPACITOR CH 50V 12P	1		IC801	COJBAA000381	IC	1	
C3206	F1G1E1030005	C. CAPACITOR CH 25V 0.01U	1		IC802	COJBAB000671	IC	1	
C3208	F1G1E1030005	C. CAPACITOR CH 25V 0.01U	1		IC803	COJBZ002192	IC	1	
C3210	F1G1A1040006	C. CAPACITOR CH 10V 0.01U	1		IC804	COCBAC000061	IC	1	
C3211	F1H1C105A118	C. CAPACITOR CH 16V 1U	1		IC805	COCBAC000072	IC	1	
C3212	F1G1A1040006	C. CAPACITOR CH 10V 0.01U	1		IC806	COCBBC000048	IC	1	
C3213-15	F1G1E1030005	C. CAPACITOR CH 25V 0.01U	3		IC900, 01	COABHA000020	IC	2	
CN100-02	K1KY40B00015	CONNECTOR	3		IC902, 03	COJBAZ002262	IC	2	
CN1300	K1KA10AA0001	CONNECTOR (MALE)	1		IC904	COJBAA000362	IC	1	
CN2300	K1KA05AA0083	CONNECTOR (MALE)	1		IC905	COJBAA000174	IC	1	
CN2900, 01	K1KA70AA0044	CONNECTOR (MALE)	2		IC906	C1AB00002726	IC	1	
CN3000	K1KA70AA0044	CONNECTOR (MALE)	1		IC907, 08	COJBAR000432	IC	2	
CN3001	K1KA12A00260	CONNECTOR (MALE)	1		IC909, 10	COCBBC000053	IC	2	
CN3002	K1MN30AA0018	CONNECTOR	1		IC911	COJBAA000307	IC	1	
CN3100	K1KA10B00093	CONNECTOR (MALE)	1		IC1000-06	COJBAZ001825	IC	7	
CN3101	K1KB60A00031	CONNECTOR (FEMALE)	1		IC1007, 08	COJBAB000662	IC	2	
CN3102	K1KB50BA0015	CONNECTOR (FEMALE)	1		IC1009	COJBZ001825	IC	1	
CN3200	K1KY40A00031	CONNECTOR	1		IC1010	COJBAF000545	IC	1	
CN3201	K1MN30AA0018	CONNECTOR	1		IC1011	COJBAZ001825	IC	1	
CN3202	K1KY16AA0550	CONNECTOR	1		IC1012	COJBAA000135	IC	1	
CN3203	K1KY10AA0550	CONNECTOR	1		IC1013	COJBZ001825	IC	1	
CN3204	K1KA05A00218	CONNECTOR (MALE)	1		IC1015	COJBZ001825	IC	1	
CN3205	K1KA06B00140	CONNECTOR (MALE)	1		IC1100	C1ZBZ0003926	IC	1	
CN3300, 01	K1KB70A00051	CONNECTOR (FEMALE)	2		IC1101	C1AB00002621	IC	1	
CN3302	K1KA30A00227	CONNECTOR (MALE)	1		IC1102	COBZG600060	IC	1	
CN3303	K1MN30AA0018	CONNECTOR	1		IC1103	COCBBC000049	IC	1	
CN3401	K1KA70A00051	CONNECTOR (MALE)	1		IC1200	COFBBF000056	IC	1	
D610	MA3S13300L	DIODE	1		IC1201	COCBBC000053	IC	1	
D700-02	MA8051-H	DIODE	3		IC1202	COCBAD000042	IC	1	
D704	MA3S13300L	DIODE	1		IC1203	COCBDB000004	IC	1	
D706-09	MA3S13300L	DIODE	4		IC1204, 05	COABGB000027	IC	2	
D713	MA3S13300L	DIODE	1		IC1300	C1CB00003192	IC	1	
D900	MA2S11100L	DIODE	1		IC1400	C1CB00003188	IC	1	
D1200	MA3J74200L	DIODE	1		IC1500	MN1A92120R1	IC	1	
D1600-03	MA3J14300L	DIODE	4		IC1601	COJBAA000362	IC	1	
D1605, 06	MA3J14300L	DIODE	2		IC1602	C1ZBZ0002602	IC	1	
D2400, 01	MA3J14300L	DIODE	2		IC1705	COBZG600060	IC	1	
D3300-06	D4ED1270A008	VARIABLE	7		IC1706	COJBAB000621	IC	1	
FL100-08	JOMAB0000169	FILTER	9		IC1707	COJBAA000381	IC	1	
FL1300	JOMAB0000169	FILTER	1		IC1708	COJBAB000621	IC	1	
IC100	COJBAZ001591	IC	1		IC1800, 01	C3ABTY000007	IC	2	
IC101	COJBAA000135	IC	1		IC1900	COCBBC000053	IC	1	
IC102	COCBAC000060	IC	1		IC1901	COJBAZ002331	IC	1	
IC103	COCBBC000049	IC	1		IC1902	C1AB00003023	IC	1	
IC104	COBZG600060	IC	1		IC1903	BH7086KV	IC	1	
IC105	COEBD0000224	IC	1		IC1904	COJBAF000545	IC	1	
IC106	COJBAZ001591	IC	1		IC1905, 06	COJBAZ000851	IC	2	
IC107	COJBAA000135	IC	1		IC1907, 08	COJBAB000662	IC	2	
IC108	COCBAC000060	IC	1		IC1909	COJBZ000851	IC	1	
IC109	COCBBC000049	IC	1		IC1910	C1AB00002574	IC	1	
IC110	COJBAZ001591	IC	1		IC2000	C1AB00002377	IC	1	
IC111	COJBAA000135	IC	1		IC2001	COCBAC000072	IC	1	
IC112	COCBAC000060	IC	1		IC2200-04	C3ABRY000032	IC	5	
IC113	COCBBC000049	IC	1		IC2300	C1DB00001225	IC	1	
IC114-16	C1CB00003196	IC	3		IC2301	COJBAA000362	IC	1	
IC200	C1AB00003111	IC	1		IC2302	COCBBC000053	IC	1	
IC400	COCBAC000072	IC	1		IC2400	COBBBA000024	IC	1	
IC401	COBZG600060	IC	1		IC2401	COJBAZ002328	IC	1	
IC500	C3ABS0000048	IC	1		IC2402, 03	COABBB000196	IC	2	
IC600	MNZSFDORSA1	IC	1		IC2500	C2GB0000332	IC	1	
IC601	COABHZ000004	IC	1		IC2501, 02	COJBAZ001537	IC	2	
IC602, 03	COJBAC000362	IC	2		IC2504	TVHC164FT	IC	1	
					IC2505	C1ZBZ0002771	IC	1	
					IC2506, 07	COBZG600060	IC	2	
					IC2508	COJBAA000307	IC	1	
					IC2509	COEBE0000348	IC	1	

Components identified with the mark Δ have the special characteristics for safety. When replacing any of these components, use only the same type.

Ref. No.	Part No.	Part Name & Description	Pcs	Remarks	Ref. No.	Part No.	Part Name & Description	Pcs	Remarks
IC2600-03	C3ABRY000032	IC	4		L1207	JOJHC0000032	FILTER	1	
IC2604	TLCX245FT	IC	1		L1300-02	JOJHC0000032	FILTER	3	
IC2606, 07	COJBAE000321	IC	2		L1303	JOJDC0000099	FILTER	1	
IC2609	COJBAZ000855	IC	1		L1400	JOJHC0000032	FILTER	1	
IC2610	COJBAF000545	IC	1		L1401	JOMAB0000225	FILTER	1	
IC2611	COJBAA000381	IC	1		L1602	JOJHC0000032	FILTER	1	
IC2700	C1DB00001355	IC	1		L1603	JOJCC0000405	FERRITE CORE	1	
IC2701	C0CBCA000061	IC	1		L1604-06	JOJHC0000032	FILTER	3	
IC2800	C1CB00002607	IC	1		L1700	JOJHC0000009	FILTER	1	
IC2801	C0DBZY600002	IC	1		L1701	JOJCC0000405	FERRITE CORE	1	
IC2802	C0CBCBC00053	IC	1		L1702-05	JOJHC0000032	FILTER	4	
IC3100	COEBF0000264	IC	1		L1706-08	JOJHC0000009	FILTER	3	
IC3101	COEBA0000027	IC	1		L1709-12	JOJHC0000032	FILTER	4	
IC3102	COEBE0000348	IC	1		L1713, 14	JOJCC0000405	FERRITE CORE	2	
IC3103	COEBD0000224	IC	1		L1800, 01	JOJHC0000032	FILTER	2	
IC3104	COEBC0000156	IC	1		L1806, 07	JOJCC0000405	FERRITE CORE	2	
IC3105	COJBAB000832	IC	1		L1900-02	JOJHC0000032	FILTER	3	
IC3108	COJBAA000174	IC	1		L1903	JOJCC0000405	FERRITE CORE	1	
IC3109	COJBAZ002392	IC	1		L1904	G1C120JA0036	COIL 12UH	1	
IC3110	COJBAB000671	IC	1		L1905	JOJCC0000405	FERRITE CORE	1	
IP601	C3FBMD000372	IC	1		L1911	JOJCC0000405	FERRITE CORE	1	
IP602, 03	C3EBJG000001	IC	2		L1912	JOJHC0000032	FILTER	1	
IP1601	VEF0099C	IC	1		L1913	JOJCC0000405	FERRITE CORE	1	
IP1602	VEF0100C	IC	1		L2001	JOJHC0000009	FILTER	1	
IP1603	C3EBGG000016	IC	1		L2002, 03	JOJHC0000032	FILTER	2	
IP2604	VEF0098C	IC	1		L2004	JOJCC0000405	FERRITE CORE	1	
JK1100, 01	VJP4131	CONNECTOR (MALE)	2		L2005, 06	JOJHC0000032	FILTER	2	
L100	JOJCC0000405	FERRITE CORE	1		L2200-04	JOJHC0000032	FILTER	5	
L102, 03	JOJHC0000032	FILTER	2		L2300, 01	JOMAB0000212	FILTER	2	
L106	JOJCC0000405	FERRITE CORE	1		L2302, 03	JOJHC0000032	FILTER	2	
L108, 09	JOJHC0000032	FILTER	2		L2400-02	JOJCC0000405	FERRITE CORE	3	
L111	JOJCC0000405	FERRITE CORE	1		L2500	JOJCC0000405	FERRITE CORE	1	
L113, 14	JOJHC0000032	FILTER	2		L2501, 02	JOJHC0000032	FILTER	2	
L116-21	JOJHC0000032	FILTER	6		L2503	JOJHC0000009	FILTER	1	
L122-27	JOJCC0000405	FERRITE CORE	6		L2504	JOJHC0000032	FILTER	1	
L131-33	JOMAB0000225	FILTER	3		L2600-05	JOJHC0000032	FILTER	6	
L400-03	JOJHC0000009	FILTER	4		L2700, 01	JOJHC0000032	FILTER	2	
L404, 05	JOJCC0000405	FERRITE CORE	2		L2702	JOMAB0000212	FILTER	1	
L406-13	JOJHC0000032	FILTER	8		L2703	JOJHC0000032	FILTER	1	
L415-18	JOJHC0000032	FILTER	4		L2800, 01	JOJHC0000032	FILTER	2	
L500	JOJHC0000032	FILTER	1		L2803	JOMAB0000212	FILTER	1	
L503	JOJCC0000405	FERRITE CORE	1		L2804	JOJHC0000032	FILTER	1	
L600	JOJHC0000032	FILTER	1		L2805	JOJCC0000405	FERRITE CORE	1	
L602, 03	JOJHC0000032	FILTER	2		L3200-03	JOJDC0000099	FILTER	4	
L604	JOJCC0000405	FERRITE CORE	1		L3204	JOJHC0000032	FILTER	1	
L700, 01	JOJHC0000032	FILTER	2		L3205-15	JOJDC0000099	FILTER	11	
L703	JOJHC0000032	FILTER	1		Δ PA3100-04	K5H5011A0004	FUSE	5	
L704	JOJCC0000405	FERRITE CORE	1		Q900	B1ABDB000034	TRANSISTOR	1	
L801, 02	JOJCC0000405	FERRITE CORE	2		Q1600	UNR9115J0L	TRANSISTOR	1	
L804-06	JOJHC0000032	FILTER	3		Q1601	UNR9215J0L	TRANSISTOR	1	
L900	JOJHC0000032	FILTER	1		Q1602	UNR9115J0L	TRANSISTOR	1	
L901-09	JOJCC0000405	FERRITE CORE	9		Q1603, 04	UNR9213J0L	TRANSISTOR	2	
L912, 13	JOJHC0000032	FILTER	2		Q1700	UNR9214J0L	TRANSISTOR	1	
L1000-07	JOJCC0000405	FERRITE CORE	8		Q1701	B1DFCC000012	TRANSISTOR	1	
L1011	JOJCC0000405	FERRITE CORE	1		Q3000	UNR9113J0L	TRANSISTOR	1	
L1013	JOJDC0000099	FILTER	1		Q3001	2SD18210HL	TRANSISTOR	1	
L1016	JOJCC0000405	FERRITE CORE	1		Q3002	2SB12200RL	TRANSISTOR	1	
L1018, 19	JOJCC0000405	FERRITE CORE	2		Q3100, 01	UNR9213J0L	TRANSISTOR	2	
L1027	JOJCC0000405	FERRITE CORE	1		R100	ERJ2GEJ101	M. RESISTOR CH 1/16W	100	1
L1029-31	JOJDC0000099	FILTER	3		R101-03	ERJ2GEJ470	M. RESISTOR CH 1/16W	47	3
L1039	JOJDC0000099	FILTER	1		R104	ERJ2GEJ101	M. RESISTOR CH 1/16W	100	1
L1041-43	JOJDC0000099	FILTER	3		R105, 06	ERJ2GEJ470	M. RESISTOR CH 1/16W	47	2
L1051	JOJDC0000099	FILTER	1		R109	ERJ2RHD392	M. RESISTOR CH 1/16W	3.9K	1
L1058	JOJDC0000099	FILTER	1		R110	ERJ2RHD561	M. RESISTOR CH 1/16W	560	1
L1063	JOJCC0000405	FERRITE CORE	1		R111	ERJ2RHD103	M. RESISTOR CH 1/16W	10K	1
L1064	JOJDC0000099	FILTER	1		R113	ERJ2GEJ472	M. RESISTOR CH 1/16W	4.7K	1
L1100, 01	JOJHC0000032	FILTER	2		R114	ERJ2GEJ101	M. RESISTOR CH 1/16W	100	1
L1102-05	JOJDC0000102	FILTER	4		R115-17	ERJ2GEJ470	M. RESISTOR CH 1/16W	47	3
L1106, 07	G1C4N7Z00007	COIL 4.7UH	2		R118	ERJ2GEJ101	M. RESISTOR CH 1/16W	100	1
L1108	JOJDC0000102	FILTER	1		R119, 20	ERJ2GEJ470	M. RESISTOR CH 1/16W	47	2
L1201	JOJCC0000405	FERRITE CORE	1		R123	ERJ2GEJ101	M. RESISTOR CH 1/16W	100	1
L1203	JOJCC0000405	FERRITE CORE	1		R124-26	ERJ2GEJ470	M. RESISTOR CH 1/16W	47	3
L1205	JOE1355B0002	FILTER	1		R127	ERJ2GEJ101	M. RESISTOR CH 1/16W	100	1
L1206	JOJCC0000405	FERRITE CORE	1		R128, 29	ERJ2GEJ470	M. RESISTOR CH 1/16W	47	2

Ref.No.	Part No.	Part Name & Description	Pcs	Remarks
R130-35	ERJ2GEJ103	M. RESISTOR CH 1/16W 10K	6	
R137	DOYAR0000007	M. RESISTOR CH 1/16W 0	1	
R200	ERJ2GEJ470	M. RESISTOR CH 1/16W 47	1	
R202, 03	ERJ2GEJ220	M. RESISTOR CH 1/16W 22	2	
R204	ERJ2RHD201	M. RESISTOR CH 1/16W 200	1	
R205-09	ERJ2GEJ560	M. RESISTOR CH 1/16W 56	5	
R210-13	ERJ2GEJ470	M. RESISTOR CH 1/16W 47	4	
R214-16	ERJ2GEJ560	M. RESISTOR CH 1/16W 56	3	
R217-20	ERJ2GEJ470	M. RESISTOR CH 1/16W 47	4	
R221-23	EXBN8V750J	COMBI. R-R	75	3
R224-27	EXBN8V470J	COMBI. R-R	47	4
R301	ERJ2GEJ470	M. RESISTOR CH 1/16W 47	1	
R303, 04	ERJ2GEJ330	M. RESISTOR CH 1/16W 33	2	
R305	ERJ2GEJ470	M. RESISTOR CH 1/16W 47	1	
R307, 08	ERJ2GEJ220	M. RESISTOR CH 1/16W 22	2	
R309-13	EXBN8V470J	COMBI. R-R	47	5
R314-20	EXBN8V330J	COMBI. R-R	33	7
R321, 22	ERJ2GEJ330	M. RESISTOR CH 1/16W 33	2	
R324-27	ERJ2GEJ220	M. RESISTOR CH 1/16W 22	4	
R328-39	EXBN8V470J	COMBI. R-R	47	12
R340-45	ERJ2GEJ220	M. RESISTOR CH 1/16W 22	6	
R346	DOYAR0000007	M. RESISTOR CH 1/16W 0	1	
R351	ERJ2GEJ102	M. RESISTOR CH 1/16W 1K	1	
R352	ERJ2GEJ473	M. RESISTOR CH 1/16W 47K	1	
R353, 54	ERJ2GEJ220	M. RESISTOR CH 1/16W 22	2	
R355-58	EXBN8V330J	COMBI. R-R	33	4
R400	ERJ2RHD332	M. RESISTOR CH 1/16W 3.3K	1	
R401	ERJ2RHD122	M. RESISTOR CH 1/16W 1.2K	1	
R403	ERJ2RHD103	M. RESISTOR CH 1/16W 10K	1	
R508	ERJ3GEYJ101	M. RESISTOR CH 1/16W 100	1	
R511, 12	ERJ2RHD102	M. RESISTOR CH 1/16W 1K	2	
R601	ERJ2GEJ684	M. RESISTOR CH 1/16W 680K	1	
R602, 03	ERJ2RHD103	M. RESISTOR CH 1/16W 10K	2	
R604	ERJ2GEJ105	M. RESISTOR CH 1/16W 1M	1	
R606	EXBN8V473J	COMBI. R-R	47K	1
R609	ERJ2RHD103	M. RESISTOR CH 1/16W 10K	1	
R611	ERJ2RHD103	M. RESISTOR CH 1/16W 10K	1	
R615	ERJ2RHD103	M. RESISTOR CH 1/16W 10K	1	
R616	DOYAR0000007	M. RESISTOR CH 1/16W 0	1	
R617, 18	ERJ2RHD101	M. RESISTOR CH 1/16W 100	2	
R624	DOYAR0000007	M. RESISTOR CH 1/16W 0	1	
R627	EXB24V103J	COMBI. R-R	10K	1
R631, 32	ERJ2GEJ101	M. RESISTOR CH 1/16W 100	2	
R633	EXBN8V102J	COMBI. R-R	1K	1
R639	ERJ2GEJ101	M. RESISTOR CH 1/16W 100	1	
R643	EXBN8V473J	COMBI. R-R	47K	1
R646	ERJ2GEJ102	M. RESISTOR CH 1/16W 1K	1	
R647	DOYAR0000007	M. RESISTOR CH 1/16W 0	1	
R648	ERJ2RHD101	M. RESISTOR CH 1/16W 100	1	
R652, 53	ERJ2GEJ103	M. RESISTOR CH 1/16W 10K	2	
R654	ERJ2GEJ330	M. RESISTOR CH 1/16W 33	1	
R655	ERJ2GEJ220	M. RESISTOR CH 1/16W 22	1	
R657-66	ERJ2GEJ220	M. RESISTOR CH 1/16W 22	10	
R668-70	ERJ2GEJ470	M. RESISTOR CH 1/16W 47	3	
R676	EXB24V103J	COMBI. R-R	10K	1
R678	ERJ2GEJ330	M. RESISTOR CH 1/16W 33	1	
R679	ERJ2GEJ473	M. RESISTOR CH 1/16W 47K	1	
R681	ERJ2GEJ101	M. RESISTOR CH 1/16W 100	1	
R682	ERJ2GEJ473	M. RESISTOR CH 1/16W 47K	1	
R684	ERJ2GEJ473	M. RESISTOR CH 1/16W 47K	1	
R695	ERJ2RHD473	M. RESISTOR CH 1/16W 47K	1	
R698-00	ERJ2GEJ101	M. RESISTOR CH 1/16W 100	3	
R701, 02	DOYAR0000007	M. RESISTOR CH 1/16W 0	2	
R703	ERJ2RHD473	M. RESISTOR CH 1/16W 47K	1	
R704	ERJ2RHD433	M. RESISTOR CH 1/16W 43K	1	
R705	ERJ2RHD303	M. RESISTOR CH 1/16W 30K	1	
R706	ERJ2RHD273	M. RESISTOR CH 1/16W 27K	1	
R707	DOYAR0000007	M. RESISTOR CH 1/16W 0	1	
R708	ERJ2RHD223	M. RESISTOR CH 1/16W 22K	1	
R709-11	DOYAR0000007	M. RESISTOR CH 1/16W 0	3	
R712	ERJ2RHD472	M. RESISTOR CH 1/16W 4.7K	1	
R713	ERJ2GEJ101	M. RESISTOR CH 1/16W 100	1	
R716	ERJ2RKD154	M. RESISTOR CH 1/16W 150K	1	
R717	ERJ2RHD563	M. RESISTOR CH 1/16W 56K	1	
R718	ERJ2RKD154	M. RESISTOR CH 1/16W 150K	1	
R719	ERJ2RHD563	M. RESISTOR CH 1/16W 56K	1	
R720	ERJ2RHD103	M. RESISTOR CH 1/16W 10K	1	

Ref.No.	Part No.	Part Name & Description	Pcs	Remarks
R721	ERJ2RHD101	M. RESISTOR CH 1/16W 100	1	
R722	ERJ2RHD123	M. RESISTOR CH 1/16W 12K	1	
R723	DOYAR0000007	M. RESISTOR CH 1/16W 0	1	
R725	ERJ2RHD123	M. RESISTOR CH 1/16W 12K	1	
R727	ERJ2GEJ470	M. RESISTOR CH 1/16W 47	1	
R728, 29	ERJ2RHD101	M. RESISTOR CH 1/16W 100	2	
R731	ERJ2GEJ473	M. RESISTOR CH 1/16W 47K	1	
R733	ERJ2GEJ101	M. RESISTOR CH 1/16W 100	1	
R735	DOYAR0000007	M. RESISTOR CH 1/16W 0	1	
R736, 37	ERJ2GEJ103	M. RESISTOR CH 1/16W 10K	2	
R738-41	ERJ2GEJ100	M. RESISTOR CH 1/16W 10	4	
R743	DOYAR0000007	M. RESISTOR CH 1/16W 0	1	
R744-46	ERJ2RHD104	M. RESISTOR CH 1/16W 100K	3	
R748	ERJ2GEJ101	M. RESISTOR CH 1/16W 100	1	
R749	ERJ2GEJ473	M. RESISTOR CH 1/16W 47K	1	
R751, 52	ERJ2RHD102	M. RESISTOR CH 1/16W 1K	2	
R753	ERJ2RHD101	M. RESISTOR CH 1/16W 100	1	
R754, 55	ERJ2RHD104	M. RESISTOR CH 1/16W 100K	2	
R756	ERJ2GEJ103	M. RESISTOR CH 1/16W 10K	1	
R757	ERJ2GEJ473	M. RESISTOR CH 1/16W 47K	1	
R758	ERJ2GEJ103	M. RESISTOR CH 1/16W 10K	1	
R759	ERJ2RHD333	M. RESISTOR CH 1/16W 33K	1	
R760	ERJ2RHD303	M. RESISTOR CH 1/16W 30K	1	
R761	ERJ2RHD101	M. RESISTOR CH 1/16W 100	1	
R762	ERJ2GEJ473	M. RESISTOR CH 1/16W 47K	1	
R769	ERJ2GEJ470	M. RESISTOR CH 1/16W 47	1	
R770	EXBN8V103J	COMBI. R-R	10K	1
R771, 72	EXBN8V101J	COMBI. R-R	100	2
R773	EXBN8V102J	COMBI. R-R	1K	1
R774	ERJ2GEJ473	M. RESISTOR CH 1/16W 47K	1	
R775-77	ERJ2GEJ102	M. RESISTOR CH 1/16W 1K	3	
R802-04	ERJ2GEJ220	M. RESISTOR CH 1/16W 22	3	
R805	ERJ2GEJ470	M. RESISTOR CH 1/16W 47	1	
R806	ERJ2GEJ330	M. RESISTOR CH 1/16W 33	1	
R807	ERJ2GEJ220	M. RESISTOR CH 1/16W 22	1	
R810-16	ERJ2GEJ470	M. RESISTOR CH 1/16W 47	7	
R817	ERJ2GEJ220	M. RESISTOR CH 1/16W 22	1	
R818	ERJ2GEJ101	M. RESISTOR CH 1/16W 100	1	
R819	ERJ2GEJ330	M. RESISTOR CH 1/16W 33	1	
R820, 21	ERJ2GEJ220	M. RESISTOR CH 1/16W 22	2	
R824	ERJ2GEJ330	M. RESISTOR CH 1/16W 33	1	
R825	ERJ2GEJ470	M. RESISTOR CH 1/16W 47	1	
R827, 28	DOYAR0000007	M. RESISTOR CH 1/16W 0	2	
R830	DOYAR0000007	M. RESISTOR CH 1/16W 0	1	
R831	EXBN8V103J	COMBI. R-R	10K	1
R841-43	ERJ2GEJ470	M. RESISTOR CH 1/16W 47	3	
R846-49	DOYAR0000007	M. RESISTOR CH 1/16W 0	4	
R852-54	ERJ2GEJ330	M. RESISTOR CH 1/16W 33	3	
R855	DOYAR0000007	M. RESISTOR CH 1/16W 0	1	
R856	ERJ2GEJ101	M. RESISTOR CH 1/16W 100	1	
R857	DOYAR0000007	M. RESISTOR CH 1/16W 0	1	
R859-62	ERJ2GEJ220	M. RESISTOR CH 1/16W 22	4	
R863-78	ERJ2GEJ470	M. RESISTOR CH 1/16W 47	16	
R879-81	ERJ2GEJ220	M. RESISTOR CH 1/16W 22	3	
R882	ERJ2GEJ470	M. RESISTOR CH 1/16W 47	1	
R883-86	ERJ2GEJ220	M. RESISTOR CH 1/16W 22	4	
R887	ERJ2GEJ470	M. RESISTOR CH 1/16W 47	1	
R890	ERJ2GEJ470	M. RESISTOR CH 1/16W 47	1	
R899	EXBN8V470J	COMBI. R-R	47	1
R901	ERJ2GEJ470	M. RESISTOR CH 1/16W 47	1	
R902	ERJ2RKD750	M. RESISTOR CH 1/10W 75	1	
R903	ERJ2RHD471	M. RESISTOR CH 1/16W 470	1	
R904	ERJ2RHD221	M. RESISTOR CH 1/16W 220	1	
R905	ERJ2RHD683	M. RESISTOR CH 1/16W 68K	1	
R906	ERJ2GEJ102	M. RESISTOR CH 1/16W 1K	1	
R907, 08	ERJ2RHD223	M. RESISTOR CH 1/16W 22K	2	
R909	ERJ2GEJ101	M. RESISTOR CH 1/16W 100	1	
R910	ERJ2RHD222	M. RESISTOR CH 1/16W 2.2M	1	
R911, 12	ERJ2RHD473	M. RESISTOR CH 1/16W 47K	2	
R913	ERJ2RHD221	M. RESISTOR CH 1/16W 220	1	
R914-17	ERJ2RHD223	M. RESISTOR CH 1/16W 22K	4	
R918	ERJ2GEJ103	M. RESISTOR CH 1/16W 10K	1	
R919	ERJ2GEJ102	M. RESISTOR CH 1/16W 1K	1	
R920	ERJ2RHD153	M. RESISTOR CH 1/16W 15K	1	
R921	ERJ2RHD223	M. RESISTOR CH 1/16W 22K	1	
R922	ERJ2RHD103	M. RESISTOR CH 1/16W 10K	1	
R923, 24	ERJ2GEJ474	M. RESISTOR CH 1/16W 470K	2	

Ref.No.	Part No.	Part Name & Description	Pcs	Remarks
R925-26	ERJ2RHD103	M. RESISTOR CH 1/16W 10K	2	
R927-32	ERJ2RHD223	M. RESISTOR CH 1/16W 22K	6	
R933-34	DOYAR0000007	M. RESISTOR CH 1/16W 0	2	
R935-39	ERJ2GEJ101	M. RESISTOR CH 1/16W 100	5	
R940	ERJ2RHD104	M. RESISTOR CH 1/16W 100K	1	
R941	ERJ2GEJ102	M. RESISTOR CH 1/16W 1K	1	
R942	ERJ2GEJ220	M. RESISTOR CH 1/16W 22	1	
R943	ERJ2GEJ470	M. RESISTOR CH 1/16W 47	1	
R944-45	ERJ2GEJ103	M. RESISTOR CH 1/16W 10K	2	
R946	ERJ2GEJ220	M. RESISTOR CH 1/16W 22	1	
R947-49	EXBN8V470J	COMBI. R-R	47	3
R952	ERJ2GEJ470	M. RESISTOR CH 1/16W 47	1	
R953	ERJ2GEJ220	M. RESISTOR CH 1/16W 22	1	
R954	ERJ2GEJ330	M. RESISTOR CH 1/16W 33	1	
R955-61	ERJ2GEJ220	M. RESISTOR CH 1/16W 22	7	
R962	ERJ2GEJ102	M. RESISTOR CH 1/16W 1K	1	
R965	ERJ2GEJ470	M. RESISTOR CH 1/16W 47	1	
R968-70	ERJ2GEJ470	M. RESISTOR CH 1/16W 47	3	
R972	ERJ2GEJ330	M. RESISTOR CH 1/16W 33	1	
R973	ERJ2GEJ470	M. RESISTOR CH 1/16W 47	1	
R976-77	ERJ2GEJ101	M. RESISTOR CH 1/16W 100	2	
R978-79	ERJ2GEJ470	M. RESISTOR CH 1/16W 47	2	
R981-83	ERJ2GEJ470	M. RESISTOR CH 1/16W 47	3	
R984	ERJ2GEJ330	M. RESISTOR CH 1/16W 33	1	
R985-87	ERJ2GEJ470	M. RESISTOR CH 1/16W 47	3	
R988	ERJ2GEJ330	M. RESISTOR CH 1/16W 33	1	
R989	ERJ2GEJ470	M. RESISTOR CH 1/16W 47	1	
R992	EXBN8V102J	COMBI. R-R	1K	1
R995	ERJ2GEJ102	M. RESISTOR CH 1/16W 1K	1	
R999	DOYAR0000007	M. RESISTOR CH 1/16W 0	1	
R1000-01	ERJ2GEJ470	M. RESISTOR CH 1/16W 47	2	
R1002	ERJ2GEJ330	M. RESISTOR CH 1/16W 33	1	
R1003	ERJ2GEJ105	M. RESISTOR CH 1/16W 1M	1	
R1004	DOYAR0000007	M. RESISTOR CH 1/16W 0	1	
R1005	ERJ2GEJ681	M. RESISTOR CH 1/16W 680	1	
R1006	DOYAR0000007	M. RESISTOR CH 1/16W 0	1	
R1007-08	ERJ2GEJ470	M. RESISTOR CH 1/16W 47	2	
R1009	ERJ2GEJ680	M. RESISTOR CH 1/16W 68	1	
R1010-11	DOYAR0000007	M. RESISTOR CH 1/16W 0	2	
R1012	ERJ2GEJ102	M. RESISTOR CH 1/16W 1K	1	
R1013	ERJ2GEJ470	M. RESISTOR CH 1/16W 47	1	
R1014	ERJ2GEJ102	M. RESISTOR CH 1/16W 1K	1	
R1015	ERJ2GEJ100	M. RESISTOR CH 1/16W 10	1	
R1016	ERJ2GEJ220	M. RESISTOR CH 1/16W 22	1	
R1017	ERJ2GEJ330	M. RESISTOR CH 1/16W 33	1	
R1018-19	ERJ2GEJ220	M. RESISTOR CH 1/16W 22	2	
R1020	ERJ2GEJ330	M. RESISTOR CH 1/16W 33	1	
R1021	ERJ2GEJ470	M. RESISTOR CH 1/16W 47	1	
R1022-23	ERJ2GEJ330	M. RESISTOR CH 1/16W 33	2	
R1024	ERJ2GEJ103	M. RESISTOR CH 1/16W 10K	1	
R1025	ERJ2GEJ102	M. RESISTOR CH 1/16W 1K	1	
R1026	ERJ2GEJ103	M. RESISTOR CH 1/16W 10K	1	
R1027	ERJ2GEJ102	M. RESISTOR CH 1/16W 1K	1	
R1028	ERJ2GEJ103	M. RESISTOR CH 1/16W 10K	1	
R1029	ERJ2GEJ220	M. RESISTOR CH 1/16W 22	1	
R1030	ERJ2GEJ680	M. RESISTOR CH 1/16W 68	1	
R1031	ERJ2GEJ820	M. RESISTOR CH 1/16W 82	1	
R1032	ERJ2GEJ101	M. RESISTOR CH 1/16W 100	1	
R1033-34	ERJ2GEJ820	M. RESISTOR CH 1/16W 82	2	
R1035-40	ERJ2GEJ680	M. RESISTOR CH 1/16W 68	6	
R1042	ERJ2GEJ220	M. RESISTOR CH 1/16W 22	1	
R1044	DOYAR0000007	M. RESISTOR CH 1/16W 0	1	
R1045	ERJ2GEJ330	M. RESISTOR CH 1/16W 33	1	
R1046	ERJ2GEJ101	M. RESISTOR CH 1/16W 100	1	
R1047	ERJ2GEJ820	M. RESISTOR CH 1/16W 82	1	
R1048	ERJ2GEJ680	M. RESISTOR CH 1/16W 68	1	
R1049	ERJ2GEJ102	M. RESISTOR CH 1/16W 1K	1	
R1050	ERJ2GEJ470	M. RESISTOR CH 1/16W 47	1	
R1051	ERJ2GEJ330	M. RESISTOR CH 1/16W 33	1	
R1052	ERJ2GEJ470	M. RESISTOR CH 1/16W 47	1	
R1053-54	ERJ2GEJ330	M. RESISTOR CH 1/16W 33	2	
R1055	ERJ2GEJ680	M. RESISTOR CH 1/16W 68	1	
R1056	ERJ2GEJ560	M. RESISTOR CH 1/16W 56	1	
R1057-61	ERJ2GEJ470	M. RESISTOR CH 1/16W 47	5	
R1062	ERJ2GEJ103	M. RESISTOR CH 1/16W 10K	1	
R1063	ERJ2GEJ820	M. RESISTOR CH 1/16W 82	1	
R1064	DOYAR0000007	M. RESISTOR CH 1/16W 0	1	

Ref.No.	Part No.	Part Name & Description	Pcs	Remarks
R1066	ERJ2GEJ102	M. RESISTOR CH 1/16W 1K	1	
R1067-68	DOYAR0000007	M. RESISTOR CH 1/16W 0	2	
R1069-70	ERJ2GEJ102	M. RESISTOR CH 1/16W 1K	2	
R1072	DOYAR0000007	M. RESISTOR CH 1/16W 0	1	
R1074-76	DOYAR0000007	M. RESISTOR CH 1/16W 0	3	
R1077	ERJ2GEJ470	M. RESISTOR CH 1/16W 47	1	
R1078	DOYAR0000007	M. RESISTOR CH 1/16W 0	1	
R1080	ERJ2GEJ470	M. RESISTOR CH 1/16W 47	1	
R1081	ERJ2GEJ220	M. RESISTOR CH 1/16W 22	1	
R1083	ERJ2GEJ220	M. RESISTOR CH 1/16W 22	1	
R1085	ERJ2GEJ820	M. RESISTOR CH 1/16W 82	1	
R1086-87	ERJ2GEJ470	M. RESISTOR CH 1/16W 47	2	
R1088	ERJ2GEJ680	M. RESISTOR CH 1/16W 68	1	
R1090	DOYAR0000007	M. RESISTOR CH 1/16W 0	1	
R1101	ERJ2RHD103	M. RESISTOR CH 1/16W 10K	1	
R1103	ERJ2RHD123	M. RESISTOR CH 1/16W 12K	1	
R1104	ERJ2RHD471	M. RESISTOR CH 1/16W 470	1	
R1105	ERJ3GEYJ6R8	M. RESISTOR CH 1/16W 6.8	1	
R1106	ERJ2RHD103	M. RESISTOR CH 1/16W 10K	1	
R1107	ERJ3GEYJ3R3	M. RESISTOR CH 1/16W 3.3	1	
R1108	ERJ2GEJ470	M. RESISTOR CH 1/16W 47	1	
R1109	DOYAR0000007	M. RESISTOR CH 1/16W 0	1	
R1110	ERJ2RHD751	M. RESISTOR CH 1/16W 750	1	
R1111-12	ERJ3RED750	M. RESISTOR CH 1/16W 75	2	
R1113-14	ERJ3RBD151	M. RESISTOR CH 1/16W 150	2	
R1115	ERJ2RHD751	M. RESISTOR CH 1/16W 750	1	
R1116-19	ERJ3RED510	M. RESISTOR CH 1/16W 51	4	
R1121	ERJ2GEJ470	M. RESISTOR CH 1/16W 47	1	
R1122	ERJ2GEJ101	M. RESISTOR CH 1/16W 100	1	
R1123-27	EXBN8V470J	COMBI. R-R	47	5
R1207	ERJ2GEJ103	M. RESISTOR CH 1/16W 10K	1	
R1208	ERJ2GEJ330	M. RESISTOR CH 1/16W 33	1	
R1209-10	ERJ2RDK680	M. RESISTOR CH 1/16W 68	2	
R1214	ERJ2RHD561	M. RESISTOR CH 1/16W 560	1	
R1216	ERJ2RDK680	M. RESISTOR CH 1/16W 68	1	
R1218	ERJ2RHD511	M. RESISTOR CH 1/16W 510	1	
R1236	ERJ2RHD561	M. RESISTOR CH 1/16W 560	1	
R1237-38	ERJ2RHD473	M. RESISTOR CH 1/16W 47K	2	
R1239	ERJ2RHD103	M. RESISTOR CH 1/16W 10K	1	
R1240	ERJ2RHD471	M. RESISTOR CH 1/16W 470	1	
R1241	ERJ2RHD103	M. RESISTOR CH 1/16W 10K	1	
R1242	ERJ2RHD471	M. RESISTOR CH 1/16W 470	1	
R1243-44	ERJ2RHD102	M. RESISTOR CH 1/16W 1K	2	
R1245-46	ERJ2RHD182	M. RESISTOR CH 1/16W 1.8K	2	
R1247-50	ERJ3GEYJ151	M. RESISTOR CH 1/16W 150	4	
R1251	DOYAR0000007	M. RESISTOR CH 1/16W 0	1	
R1300	ERJ2GEJ820	M. RESISTOR CH 1/16W 82	1	
R1302	DOYAR0000007	M. RESISTOR CH 1/16W 0	1	
R1303	ERJ2GEJ103	M. RESISTOR CH 1/16W 10K	1	
R1305	ERJ2RHD123	M. RESISTOR CH 1/16W 12K	1	
R1307	DOYAR0000007	M. RESISTOR CH 1/16W 0	1	
R1309-14	ERJ3GEYOR00	M. RESISTOR CH 1/16W 0	6	
R1315	ERJ2GEJ470	M. RESISTOR CH 1/16W 47	1	
R1318-23	EXBN8V680J	COMBI. R-R	68	6
R1400	ERJ2GEJ820	M. RESISTOR CH 1/16W 82	1	
R1403-04	ERJ2GEJ103	M. RESISTOR CH 1/16W 10K	2	
R1405	ERJ2RHD101	M. RESISTOR CH 1/16W 100	1	
R1407-12	EXBN8V680J	COMBI. R-R	68	6
R1500	ERJ2GEJ820	M. RESISTOR CH 1/16W 82	1	
R1502	ERJ2GEJ220	M. RESISTOR CH 1/16W 22	1	
R1503	ERJ2GEJ470	M. RESISTOR CH 1/16W 47	1	
R1504-07	ERJ2GEJ220	M. RESISTOR CH 1/16W 22	4	
R1509-12	ERJ2GEJ220	M. RESISTOR CH 1/16W 22	4	
R1513-17	ERJ2GEJ470	M. RESISTOR CH 1/16W 47	5	
R1518	ERJ2GEJ220	M. RESISTOR CH 1/16W 22	1	
R1519-23	EXBN8V470J	COMBI. R-R	47	5
R1524-31	EXBN8V220J	COMBI. R-R	22	8
R1533	ERJ2GEJ220	M. RESISTOR CH 1/16W 22	1	
R1534-37	ERJ2GEJ470	M. RESISTOR CH 1/16W 47	4	
R1539-46	ERJ2GEJ470	M. RESISTOR CH 1/16W 47	8	
R1548	ERJ2RHD301	M. RESISTOR CH 1/16W 300	1	
R1549	ERJ6RED510	M. RESISTOR CH 1/10W 51	1	
R1550-52	EXBN8V470J	COMBI. R-R	47	3
R1553-58	ERJ2GEJ470	M. RESISTOR CH 1/16W 47	6	
R1564	ERJ2GEJ470	M. RESISTOR CH 1/16W 47	1	
R1566	ERJ6RED220	M. RESISTOR CH 1/10W 22	1	
R1567-69	ERJ2GEJ470	M. RESISTOR CH 1/16W 47	3	

Ref. No.	Part No.	Part Name & Description	Pcs	Remarks
R1577-80	ERJ2GEJ220	M. RESISTOR CH 1/16W 22	4	
R1581	ERJ2GEJ330	M. RESISTOR CH 1/16W 33	1	
R1582	ERJ2GEJ470	M. RESISTOR CH 1/16W 47	1	
R1583, 84	ERJ2GEJ220	M. RESISTOR CH 1/16W 22	2	
R1585	ERJ2GEJ470	M. RESISTOR CH 1/16W 47	1	
R1586	ERJ2GEJ101	M. RESISTOR CH 1/16W 100	1	
R1588, 89	ERJ2GEJ470	M. RESISTOR CH 1/16W 47	2	
R1590	ERJ2GEJ330	M. RESISTOR CH 1/16W 33	1	
R1591, 92	EXBN8V330J	COMBI. R-R	33	2
R1593	EXBN8V220J	COMBI. R-R	22	1
R1595, 96	ERJ2GEJ103	M. RESISTOR CH 1/16W 10K	2	
R1600	ERJ2GEJ220	M. RESISTOR CH 1/16W 22	1	
R1602	ERJ2GEJ102	M. RESISTOR CH 1/16W 1K	1	
R1603, 04	ERJ2GEJ220	M. RESISTOR CH 1/16W 22	2	
R1611-16	EXBN8V103J	COMBI. R-R	10K	6
R1617	EXB24V103J	COMBI. R-R	10K	1
R1618-20	ERJ2GEJ103	M. RESISTOR CH 1/16W 10K	3	
R1621	ERJ2GEJ101	M. RESISTOR CH 1/16W 100	1	
R1622	ERJ2RHD471	M. RESISTOR CH 1/16W 470	1	
R1623	ERJ2GEJ103	M. RESISTOR CH 1/16W 10K	1	
R1624	EXB24V103J	COMBI. R-R	10K	1
R1625	ERJ2GEJ103	M. RESISTOR CH 1/16W 10K	1	
R1627	ERJ2GEJ473	M. RESISTOR CH 1/16W 47K	1	
R1628	ERJ2RHD473	M. RESISTOR CH 1/16W 47K	1	
R1629	ERJ2RHD333	M. RESISTOR CH 1/16W 33K	1	
R1630	DOYAR0000007	M. RESISTOR CH 1/16W 0	1	
R1633	ERJ2RHD103	M. RESISTOR CH 1/16W 10K	1	
R1634	ERJ2RHD563	M. RESISTOR CH 1/16W 56K	1	
R1639, 40	ERJ2GEJ101	M. RESISTOR CH 1/16W 100	2	
R1644-47	ERJ2GEJ101	M. RESISTOR CH 1/16W 100	4	
R1649, 50	ERJ2GEJ101	M. RESISTOR CH 1/16W 100	2	
R1652-54	ERJ2GEJ220	M. RESISTOR CH 1/16W 22	3	
R1655-58	EXBN8V330J	COMBI. R-R	33	4
R1659	ERJ2GEJ220	M. RESISTOR CH 1/16W 22	1	
R1660	ERJ2GEJ330	M. RESISTOR CH 1/16W 33	1	
R1661-65	ERJ2GEJ220	M. RESISTOR CH 1/16W 22	5	
R1667	ERJ2GEJ220	M. RESISTOR CH 1/16W 22	1	
R1668-71	EXBN8V220J	COMBI. R-R	22	4
R1683-86	EXBN8V220J	COMBI. R-R	22	4
R1687-90	EXBN8V470J	COMBI. R-R	47	4
R1695	ERJ2GEJ103	M. RESISTOR CH 1/16W 10K	1	
R1696	ERJ2GEJ102	M. RESISTOR CH 1/16W 1K	1	
R1697-99	ERJ2GEJ470	M. RESISTOR CH 1/16W 47	3	
R1700-02	ERJ2GEJ101	M. RESISTOR CH 1/16W 100	3	
R1703	ERJ2GEJ102	M. RESISTOR CH 1/16W 1K	1	
R1706	ERJ2GEJ102	M. RESISTOR CH 1/16W 1K	1	
R1707	ERJ2GEJ680	M. RESISTOR CH 1/16W 68	1	
R1708	ERJ2GEJ102	M. RESISTOR CH 1/16W 1K	1	
R1709-12	EXBN8V101J	COMBI. R-R	100	4
R1713	ERJ2GEJ220	M. RESISTOR CH 1/16W 22	1	
R1714	ERJ2GEJ102	M. RESISTOR CH 1/16W 1K	1	
R1715	EXB24V103J	COMBI. R-R	10K	1
R1716	ERJ2GEJ103	M. RESISTOR CH 1/16W 10K	1	
R1717	EXBN8V330J	COMBI. R-R	33	1
R1718	ERJ2RHD332	M. RESISTOR CH 1/16W 3.3K	1	
R1719	ERJ2RHD122	M. RESISTOR CH 1/16W 1.2K	1	
R1721	ERJ2RHD103	M. RESISTOR CH 1/16W 10K	1	
R1723	ERJ2GEJ103	M. RESISTOR CH 1/16W 10K	1	
R1725, 26	ERJ2GEJ470	M. RESISTOR CH 1/16W 47	2	
R1727	ERJ2GEJ103	M. RESISTOR CH 1/16W 10K	1	
R1730-34	ERJ2GEJ103	M. RESISTOR CH 1/16W 10K	5	
R1735, 36	ERJ2GEJ102	M. RESISTOR CH 1/16W 1K	2	
R1737	ERJ2RHD104	M. RESISTOR CH 1/16W 100K	1	
R1738	ERJ2GEJ103	M. RESISTOR CH 1/16W 10K	1	
R1739	ERJ2GEJ473	M. RESISTOR CH 1/16W 47K	1	
R1740	ERJ2GEJ560	M. RESISTOR CH 1/16W 56	1	
R1741	ERJ2GEJ220	M. RESISTOR CH 1/16W 22	1	
R1742, 43	DOYAR0000007	M. RESISTOR CH 1/16W 0	2	
R1745, 46	ERJ2GEJ101	M. RESISTOR CH 1/16W 100	2	
R1747	EXBN8V102J	COMBI. R-R	1K	1
R1748, 49	ERJ2GEJ103	M. RESISTOR CH 1/16W 10K	2	
R1750	EXBN8V103J	COMBI. R-R	10K	1
R1751	ERJ2GEJ102	M. RESISTOR CH 1/16W 1K	1	
R1802-05	EXBN8V470J	COMBI. R-R	47	4
R1806	ERJ3GEYJ101	M. RESISTOR CH 1/16W 100	1	
R1811-14	EXBN8V470J	COMBI. R-R	47	4
R1815	ERJ3GEYJ101	M. RESISTOR CH 1/16W 100	1	

Ref. No.	Part No.	Part Name & Description	Pcs	Remarks
R1816, 17	ERJ2RHD102	M. RESISTOR CH 1/16W 1K	2	
R1820, 21	ERJ2RHD102	M. RESISTOR CH 1/16W 1K	2	
R1824	EXBN8V103J	COMBI. R-R	10K	1
R1902	ERJ2GEJ330	M. RESISTOR CH 1/16W 33	1	
R1903-05	ERJ2GEJ103	M. RESISTOR CH 1/16W 10K	3	
R1906	ERJ2RHD222	M. RESISTOR CH 1/16W 2.2M	1	
R1907	ERJ2GEJ102	M. RESISTOR CH 1/16W 1K	1	
R1908, 09	ERJ2GEJ220	M. RESISTOR CH 1/16W 22	2	
R1910	ERJ2GEJ102	M. RESISTOR CH 1/16W 1K	1	
R1911	ERJ2GEJ183	M. RESISTOR CH 1/16W 18K	1	
R1912	ERJ2RHD223	M. RESISTOR CH 1/16W 22K	1	
R1913	ERJ2GEJ330	M. RESISTOR CH 1/16W 33	1	
R1914	ERJ2GEJ470	M. RESISTOR CH 1/16W 47	1	
R1915	ERJ2RHD101	M. RESISTOR CH 1/16W 100	1	
R1916, 17	ERJ2GEJ102	M. RESISTOR CH 1/16W 1K	2	
R1918-21	ERJ2GEJ470	M. RESISTOR CH 1/16W 47	4	
R1923, 24	ERJ2GEJ105	M. RESISTOR CH 1/16W 1M	2	
R1925-29	ERJ2GEJ470	M. RESISTOR CH 1/16W 47	5	
R1930	ERJ2GEJ330	M. RESISTOR CH 1/16W 33	1	
R1931, 32	ERJ2GEJ220	M. RESISTOR CH 1/16W 22	2	
R1933	ERJ2GEJ470	M. RESISTOR CH 1/16W 47	1	
R1934	ERJ2GEJ330	M. RESISTOR CH 1/16W 33	1	
R1935	ERJ2GEJ103	M. RESISTOR CH 1/16W 10K	1	
R2000	ERJ2GEJ470	M. RESISTOR CH 1/16W 47	1	
R2001-06	ERJ2GEJ220	M. RESISTOR CH 1/16W 22	6	
R2011	ERJ2GEJ470	M. RESISTOR CH 1/16W 47	1	
R2012-15	ERJ2GEJ220	M. RESISTOR CH 1/16W 22	4	
R2016	ERJ2GEJ470	M. RESISTOR CH 1/16W 47	1	
R2017-19	ERJ2GEJ220	M. RESISTOR CH 1/16W 22	3	
R2020	ERJ2GEJ680	M. RESISTOR CH 1/16W 68	1	
R2021	EXBN8V220J	COMBI. R-R	22	1
R2026	ERJ2RHD101	M. RESISTOR CH 1/16W 100	1	
R2027-35	ERJ2GEJ220	M. RESISTOR CH 1/16W 22	9	
R2036	ERJ2GEJ330	M. RESISTOR CH 1/16W 33	1	
R2037	ERJ2GEJ220	M. RESISTOR CH 1/16W 22	1	
R2038	DOYAR0000007	M. RESISTOR CH 1/16W 0	1	
R2039-41	EXBN8V220J	COMBI. R-R	22	3
R2042-45	EXBN8V680J	COMBI. R-R	68	4
R2046-50	EXBN8V220J	COMBI. R-R	22	5
R2051	ERJ2GEJ105	M. RESISTOR CH 1/16W 1M	1	
R2053	EXBN8V101J	COMBI. R-R	100	1
R2054	ERJ2GEJ103	M. RESISTOR CH 1/16W 10K	1	
R2057	ERJ2GEJ103	M. RESISTOR CH 1/16W 10K	1	
R2100, 01	ERJ2GEJ220	M. RESISTOR CH 1/16W 22	2	
R2107, 08	ERJ2GEJ103	M. RESISTOR CH 1/16W 10K	2	
R2109	ERJ2GEJ220	M. RESISTOR CH 1/16W 22	1	
R2110	ERJ2GEJ330	M. RESISTOR CH 1/16W 33	1	
R2113	ERJ2GEJ220	M. RESISTOR CH 1/16W 22	1	
R2115, 16	EXBN8V330J	COMBI. R-R	33	2
R2117	ERJ2GEJ680	M. RESISTOR CH 1/16W 68	1	
R2118-20	EXBN8V220J	COMBI. R-R	22	3
R2121	ERJ2GEJ100	M. RESISTOR CH 1/16W 10	1	
R2125-35	ERJ2GEJ220	M. RESISTOR CH 1/16W 22	11	
R2136-39	EXBN8V220J	COMBI. R-R	22	4
R2140	ERJ2GEJ680	M. RESISTOR CH 1/16W 68	1	
R2141	ERJ2GEJ220	M. RESISTOR CH 1/16W 22	1	
R2142	ERJ2GEJ101	M. RESISTOR CH 1/16W 100	1	
R2143	ERJ2GEJ220	M. RESISTOR CH 1/16W 22	1	
R2144, 45	ERJ2GEJ103	M. RESISTOR CH 1/16W 10K	2	
R2146	ERJ2GEJ220	M. RESISTOR CH 1/16W 22	1	
R2147	ERJ2GEJ103	M. RESISTOR CH 1/16W 10K	1	
R2148-57	EXBN8V220J	COMBI. R-R	22	10
R2158, 59	ERJ2GEJ103	M. RESISTOR CH 1/16W 10K	2	
R2200-15	EXBN8V330J	COMBI. R-R	33	16
R2300	ERJ2GEJ472	M. RESISTOR CH 1/16W 4.7K	1	
R2301	ERJ2GEJ102	M. RESISTOR CH 1/16W 1K	1	
R2302	ERJ2GEJ103	M. RESISTOR CH 1/16W 10K	1	
R2303	ERJ2GEJ102	M. RESISTOR CH 1/16W 1K	1	
R2304	ERJ2GEJ330	M. RESISTOR CH 1/16W 33	1	
R2305	ERJ2GEJ472	M. RESISTOR CH 1/16W 4.7K	1	
R2306, 07	DOYAR0000007	M. RESISTOR CH 1/16W 0	2	
R2309	EXBN8V103J	COMBI. R-R	10K	1
R2310	ERJ2RHD104	M. RESISTOR CH 1/16W 100K	1	
R2311	ERJ2RHD912	M. RESISTOR CH 1/16W 9.1K	1	
R2313	ERJ2GEJ560	M. RESISTOR CH 1/16W 56	1	
R2314	DOYAR0000007	M. RESISTOR CH 1/16W 0	1	
R2315	ERJ2GEJ560	M. RESISTOR CH 1/16W 56	1	

Ref.No.	Part No.	Part Name & Description	Pcs	Remarks
R2317	ERJ2GEJ560	M. RESISTOR CH 1/16W 56	1	
R2318, 19	DOYAR0000007	M. RESISTOR CH 1/16W 0	2	
R2320	ERJ2GEJ560	M. RESISTOR CH 1/16W 56	1	
R2321	ERJ2RHD512	M. RESISTOR CH 1/16W 5.1K	1	
R2324	ERJ3GEYOR00	M. RESISTOR CH 1/16W 0	1	
R2325, 26	EXBN8V330J	COMBI. R-R 33	2	
R2400	ERJ2RHD123	M. RESISTOR CH 1/16W 12K	1	
R2401, 02	ERJ2RHD102	M. RESISTOR CH 1/16W 1K	2	
R2404	ERJ2RHD473	M. RESISTOR CH 1/16W 47K	1	
R2405	ERJ2RHD102	M. RESISTOR CH 1/16W 1K	1	
R2406	ERJ2GEJ102	M. RESISTOR CH 1/16W 1K	1	
R2408	ERJ2RHD104	M. RESISTOR CH 1/16W 100K	1	
R2409	ERJ2RHD223	M. RESISTOR CH 1/16W 22K	1	
R2410, 11	DOYAR0000007	M. RESISTOR CH 1/16W 0	2	
R2412	ERJ2RHD223	M. RESISTOR CH 1/16W 22K	1	
R2413	ERJ2RKD334	M. RESISTOR CH 1/10W 330K	1	
R2415	ERJ2RHD222	M. RESISTOR CH 1/16W 2.2M	1	
R2416	ERJ2RHD332	M. RESISTOR CH 1/16W 3.3K	1	
R2417	ERJ2RHD683	M. RESISTOR CH 1/16W 68K	1	
R2418	ERJ2RHD333	M. RESISTOR CH 1/16W 33K	1	
R2419	ERJ2RHD222	M. RESISTOR CH 1/16W 2.2M	1	
R2420	ERJ2RHD123	M. RESISTOR CH 1/16W 12K	1	
R2421	DOYAR0000007	M. RESISTOR CH 1/16W 0	1	
R2422	ERJ2RHD473	M. RESISTOR CH 1/16W 47K	1	
R2423, 24	ERJ2RHD103	M. RESISTOR CH 1/16W 10K	2	
R2425	ERJ2RHD104	M. RESISTOR CH 1/16W 100K	1	
R2426	ERJ2GEJ103	M. RESISTOR CH 1/16W 10K	1	
R2427	ERJ2RHD332	M. RESISTOR CH 1/16W 3.3K	1	
R2428	ERJ2RHD242	M. RESISTOR CH 1/16W 2.4K	1	
R2429	ERJ2RKD824	M. RESISTOR CH 1/10W 820K	1	
R2430	ERJ2RHD512	M. RESISTOR CH 1/16W 5.1K	1	
R2431	ERJ2GEJ102	M. RESISTOR CH 1/16W 1K	1	
R2432	ERJ3RED510	M. RESISTOR CH 1/16W 51	1	
R2433	ERJ2GEJ101	M. RESISTOR CH 1/16W 100	1	
R2500, 01	EXB24V103J	COMBI. R-R 10K	2	
R2505	ERJ2GEJ103	M. RESISTOR CH 1/16W 10K	1	
R2507, 08	ERJ2GEJ470	M. RESISTOR CH 1/16W 47	2	
R2509-11	ERJ2GEJ220	M. RESISTOR CH 1/16W 22	3	
R2512-15	ERJ2GEJ330	M. RESISTOR CH 1/16W 33	4	
R2516, 17	ERJ2GEJ470	M. RESISTOR CH 1/16W 47	2	
R2518, 19	ERJ2GEJ330	M. RESISTOR CH 1/16W 33	2	
R2520	DOYAR0000007	M. RESISTOR CH 1/16W 0	1	
R2521-25	ERJ2GEJ220	M. RESISTOR CH 1/16W 22	5	
R2526	ERJ2GEJ272	M. RESISTOR CH 1/16W 2.7K	1	
R2527	DOYAR0000007	M. RESISTOR CH 1/16W 0	1	
R2528-30	ERJ2GEJ272	M. RESISTOR CH 1/16W 2.7K	3	
R2531	EXBN8V103J	COMBI. R-R 10K	1	
R2532	ERJ2GEJ272	M. RESISTOR CH 1/16W 2.7K	1	
R2533	EXB24V103J	COMBI. R-R 10K	1	
R2534	ERJ2GEJ103	M. RESISTOR CH 1/16W 10K	1	
R2535	ERJ2GEJ272	M. RESISTOR CH 1/16W 2.7K	1	
R2536	ERJ2GEJ103	M. RESISTOR CH 1/16W 10K	1	
R2537	EXBN8V103J	COMBI. R-R 10K	1	
R2538	ERJ2GEJ103	M. RESISTOR CH 1/16W 10K	1	
R2539	ERJ2GEJ470	M. RESISTOR CH 1/16W 47	1	
R2540, 41	ERJ2GEJ272	M. RESISTOR CH 1/16W 2.7K	2	
R2542, 43	ERJ2GEJ102	M. RESISTOR CH 1/16W 1K	2	
R2544	ERJ2GEJ330	M. RESISTOR CH 1/16W 33	1	
R2545, 46	DOYAR0000007	M. RESISTOR CH 1/16W 0	2	
R2547	ERJ2GEJ330	M. RESISTOR CH 1/16W 33	1	
R2548-50	ERJ2GEJ103	M. RESISTOR CH 1/16W 10K	3	
R2551, 52	ERJ2GEJ470	M. RESISTOR CH 1/16W 47	2	
R2553	ERJ2GEJ103	M. RESISTOR CH 1/16W 10K	1	
R2554	ERJ2GEJ330	M. RESISTOR CH 1/16W 33	1	
R2555-62	ERJ2GEJ103	M. RESISTOR CH 1/16W 10K	8	
R2563, 64	ERJ2GEJ470	M. RESISTOR CH 1/16W 47	2	
R2565	ERJ2GEJ680	M. RESISTOR CH 1/16W 68	1	
R2566	ERJ2GEJ470	M. RESISTOR CH 1/16W 47	1	
R2567-75	EXBN8V220J	COMBI. R-R 22	9	
R2576	ERJ2GEJ470	M. RESISTOR CH 1/16W 47	1	
R2577	ERJ2GEJ560	M. RESISTOR CH 1/16W 56	1	
R2578, 79	ERJ2GEJ330	M. RESISTOR CH 1/16W 33	2	
R2580	ERJ2RHD332	M. RESISTOR CH 1/16W 3.3K	1	
R2581	ERJ2RHD122	M. RESISTOR CH 1/16W 1.2K	1	
R2582, 83	ERJ2RHD103	M. RESISTOR CH 1/16W 10K	2	
R2584	ERJ2GEJ472	M. RESISTOR CH 1/16W 4.7K	1	
R2586, 87	ERJ2RHD103	M. RESISTOR CH 1/16W 10K	2	

Ref.No.	Part No.	Part Name & Description	Pcs	Remarks
R2588	ERJ2GEJ330	M. RESISTOR CH 1/16W 33	1	
R2590	ERJ2GEJ330	M. RESISTOR CH 1/16W 33	1	
R2591, 92	ERJ2GEJ103	M. RESISTOR CH 1/16W 10K	2	
R2593-95	ERJ2GEJ330	M. RESISTOR CH 1/16W 33	3	
R2596, 97	ERJ2GEJ470	M. RESISTOR CH 1/16W 47	2	
R2598	ERJ2GEJ680	M. RESISTOR CH 1/16W 68	1	
R2599	ERJ2GEJ470	M. RESISTOR CH 1/16W 47	1	
R2600	EXBN8V220J	COMBI. R-R 22	1	
R2601, 02	EXBN8V330J	COMBI. R-R 33	2	
R2603	EXBN8V470J	COMBI. R-R 47	1	
R2604-07	EXBN8V220J	COMBI. R-R 22	4	
R2608	EXBN8V560J	COMBI. R-R 56	1	
R2609	EXBN8V470J	COMBI. R-R 47	1	
R2610	EXBN8V560J	COMBI. R-R 56	1	
R2611	EXBN8V470J	COMBI. R-R 47	1	
R2612-15	EXBN8V101J	COMBI. R-R 100	4	
R2616, 17	EXBN8V220J	COMBI. R-R 22	2	
R2618, 19	EXBN8V330J	COMBI. R-R 33	2	
R2620, 21	EXBN8V560J	COMBI. R-R 56	2	
R2622-25	EXBN8V101J	COMBI. R-R 100	4	
R2626	ERJ2GEJ470	M. RESISTOR CH 1/16W 47	1	
R2627-30	EXBN8V220J	COMBI. R-R 22	4	
R2631, 32	EXBN8V470J	COMBI. R-R 47	2	
R2634	ERJ2GEJ330	M. RESISTOR CH 1/16W 33	1	
R2635	DOYAR0000007	M. RESISTOR CH 1/16W 0	1	
R2636	ERJ2GEJ103	M. RESISTOR CH 1/16W 10K	1	
R2637, 38	ERJ2GEJ470	M. RESISTOR CH 1/16W 47	2	
R2639, 40	ERJ2GEJ103	M. RESISTOR CH 1/16W 10K	2	
R2641	EXBN8V470J	COMBI. R-R 47	1	
R2642-44	ERJ2GEJ330	M. RESISTOR CH 1/16W 33	3	
R2645, 46	EXBN8V330J	COMBI. R-R 33	2	
R2650, 51	ERJ2GEJ330	M. RESISTOR CH 1/16W 33	2	
R2652	ERJ2GEJ100	M. RESISTOR CH 1/16W 10	1	
R2653	ERJ2GEJ470	M. RESISTOR CH 1/16W 47	1	
R2654	ERJ2GEJ330	M. RESISTOR CH 1/16W 33	1	
R2655-58	ERJ2GEJ470	M. RESISTOR CH 1/16W 47	4	
R2659	ERJ2GEJ100	M. RESISTOR CH 1/16W 10	1	
R2660	ERJ2GEJ330	M. RESISTOR CH 1/16W 33	1	
R2661, 62	ERJ2GEJ470	M. RESISTOR CH 1/16W 47	2	
R2664	ERJ2GEJ680	M. RESISTOR CH 1/16W 68	1	
R2665	ERJ2GEJ220	M. RESISTOR CH 1/16W 22	1	
R2700	ERJ2GEJ101	M. RESISTOR CH 1/16W 100	1	
R2702	ERJ2GEJ470	M. RESISTOR CH 1/16W 47	1	
R2703	ERJ2GEJ101	M. RESISTOR CH 1/16W 100	1	
R2704-14	EXBN8V220J	COMBI. R-R 22	11	
R2715	ERJ2GEJ103	M. RESISTOR CH 1/16W 10K	1	
R2716	ERJ2GEJ680	M. RESISTOR CH 1/16W 68	1	
R2717	ERJ2GEJ103	M. RESISTOR CH 1/16W 10K	1	
R2718	ERJ2GEJ473	M. RESISTOR CH 1/16W 47K	1	
R2719	ERJ2GEJ105	M. RESISTOR CH 1/16W 1M	1	
R2720	DOYAR0000007	M. RESISTOR CH 1/16W 0	1	
R2721	ERJ2GEJ101	M. RESISTOR CH 1/16W 100	1	
R2722	ERJ2GEJ103	M. RESISTOR CH 1/16W 10K	1	
R2723	ERJ6ENF2431	M. RESISTOR CH 1/10W 430	1	
R2724, 25	ERJ6ENF39R2	M. RESISTOR CH 1/10W 39	2	
R2726	ERJ2RHD152	M. RESISTOR CH 1/16W 1.5K	1	
R2727	ERJ2GEJ473	M. RESISTOR CH 1/16W 47K	1	
R2729	ERJ2GEJ473	M. RESISTOR CH 1/16W 47K	1	
R2730	ERJ6ENF2432	M. RESISTOR CH 1/10W 4.3K	1	
R2732	EXBN8V102J	COMBI. R-R 1K	1	
R2733	ERJ3GEYOR00	M. RESISTOR CH 1/16W 0	1	
R2800, 01	EXBN8V220J	COMBI. R-R 22	2	
R2802	ERJ2GEJ101	M. RESISTOR CH 1/16W 100	1	
R2803	EXBN8V330J	COMBI. R-R 33	1	
R2804-12	EXBN8V220J	COMBI. R-R 22	9	
R2813	ERJ2GEJ103	M. RESISTOR CH 1/16W 10K	1	
R2815	ERJ2GEJ101	M. RESISTOR CH 1/16W 100	1	
R2817	DOYAR0000007	M. RESISTOR CH 1/16W 0	1	
R2818	ERJ2GEJ680	M. RESISTOR CH 1/16W 68	1	
R2819	ERJ2GEJ103	M. RESISTOR CH 1/16W 10K	1	
R2821	ERJ2RHD152	M. RESISTOR CH 1/16W 1.5K	1	
R2823, 24	ERJ2RHD152	M. RESISTOR CH 1/16W 1.5K	2	
R2826	ERJ3RBD162	M. RESISTOR CH 1/16W 1.6K	1	
R2827	EXBN8V103J	COMBI. R-R 10K	1	
R2828	ERJ2GEJ103	M. RESISTOR CH 1/16W 10K	1	
R2830	ERJ3GEYOR00	M. RESISTOR CH 1/16W 0	1	
R3000	ERJ2RHD104	M. RESISTOR CH 1/16W 100K	1	

Ref. No.	Part No.	Part Name & Description	Pcs	Remarks	Ref. No.	Part No.	Part Name & Description	Pcs	Remarks
R3001, 02	ERJ2GEJ473	M. RESISTOR CH 1/16W 47K	2		C4124, 25	ECJ1VF1E104Z	C. CAPACITOR CH 25V 0.1U	2	
R3003, 04	ERJ2GEJ224	M. RESISTOR CH 1/16W 220K	2		C4126, 27	ECJ1VC1H330J	C. CAPACITOR CH 50V 33P	2	
R3008	ERJ3GEYOR00	M. RESISTOR CH 1/16W 0	1		C4128, 29	ECJ1VF1E104Z	C. CAPACITOR CH 25V 0.1U	2	
R3101	DOYAR0000007	M. RESISTOR CH 1/16W 0	1		C4130	ECJ1VC1H330J	C. CAPACITOR CH 50V 33P	1	
R3103	DOYAR0000007	M. RESISTOR CH 1/16W 0	1		C4131-33	EEHHP1A100R	E. CAPACITOR 10V 10U	3	
R3105	DOYAR0000007	M. RESISTOR CH 1/16W 0	1		C4134, 35	ECJ1VF1E104Z	C. CAPACITOR CH 25V 0.1U	2	
R3107	DOYAR0000007	M. RESISTOR CH 1/16W 0	1		C4136, 37	ECJ1VC1H330J	C. CAPACITOR CH 50V 33P	2	
R3109	DOYAR0000007	M. RESISTOR CH 1/16W 0	1		C4140	ECJ1VC1H330J	C. CAPACITOR CH 50V 33P	1	
R3110-13	ERJ3GEYOR00	M. RESISTOR CH 1/16W 0	4		C4141	EEHHP1A100R	E. CAPACITOR 10V 10U	1	
R3116-19	ERJ3GEYOR00	M. RESISTOR CH 1/16W 0	4		C4201, 02	ECJ1VF1E104Z	C. CAPACITOR CH 25V 0.1U	2	
R3120-22	ERJ2GEJ472	M. RESISTOR CH 1/16W 4.7K	3		C4203, 04	ECJ1VB1C223K	C. CAPACITOR CH 16V 0.022U	2	
R3125	EXBN8V473J	COMBI. R-R 47K	1		C4205, 06	ECJ1VF1E104Z	C. CAPACITOR CH 25V 0.1U	2	
R3126	EXB24V103J	COMBI. R-R 10K	1		C4207	ECJ1VB1C223K	C. CAPACITOR CH 16V 0.022U	1	
R3127	DOYAR0000007	M. RESISTOR CH 1/16W 0	1		C4208, 09	ECJ1VF1E104Z	C. CAPACITOR CH 25V 0.1U	2	
R3128	ERJ3GEYOR00	M. RESISTOR CH 1/16W 0	1		C4210, 11	ECJ1VB1C223K	C. CAPACITOR CH 16V 0.022U	2	
R3209, 10	ERJ3GEYOR00	M. RESISTOR CH 1/16W 0	2		C4212, 13	ECJ1VF1E104Z	C. CAPACITOR CH 25V 0.1U	2	
R3211-17	DOYAR0000007	M. RESISTOR CH 1/16W 0	7		C4214	ECJ1VB1C223K	C. CAPACITOR CH 16V 0.022U	1	
R3300-02	ERJ2GEJ101	M. RESISTOR CH 1/16W 100	3		C4215, 16	ECJ1VF1E104Z	C. CAPACITOR CH 25V 0.1U	2	
R3303-07	EXBN8V101J	COMBI. R-R 100	5		C4217, 18	ECJ1VB1C223K	C. CAPACITOR CH 16V 0.022U	2	
R3308, 09	ERJ2GEJ101	M. RESISTOR CH 1/16W 100	2		C4219, 20	ECJ1VF1E104Z	C. CAPACITOR CH 25V 0.1U	2	
R3310-12	EXBN8V101J	COMBI. R-R 100	3		C4221	ECJ1VB1C223K	C. CAPACITOR CH 16V 0.022U	1	
R3313, 14	ERJ2GEJ101	M. RESISTOR CH 1/16W 100	2		C4222, 23	ECJ1VF1E104Z	C. CAPACITOR CH 25V 0.1U	2	
R3315, 16	EXBN8V101J	COMBI. R-R 100	2		C4224, 25	ECJ1VB1C223K	C. CAPACITOR CH 16V 0.022U	2	
R3317	ERJ2GEJ101	M. RESISTOR CH 1/16W 100	1		C4226, 27	ECJ1VF1E104Z	C. CAPACITOR CH 25V 0.1U	2	
R3318, 19	EXBN8V101J	COMBI. R-R 100	2		C4228	ECJ1VB1C223K	C. CAPACITOR CH 16V 0.022U	1	
R3322, 23	ERJ2GEJ101	M. RESISTOR CH 1/16W 100	2		C4229-36	ECJ1VF1E104Z	C. CAPACITOR CH 25V 0.1U	8	
					C4301-04	EEHHP1A100R	E. CAPACITOR 10V 10U	4	
TP976	EYF6CU	TEST POINT	1		C4305	ECJ3YB1C106K	C. CAPACITOR CH 16V 10U	1	
TP3100-07	EYF6CU	TEST POINT	8		C4306	ECJ1VB1C223K	C. CAPACITOR CH 16V 0.022U	1	
					C4307	ECJ3YB1C106K	C. CAPACITOR CH 16V 10U	1	
X600	HOJ180500014	CRYSTAL OSCILLATOR	1		C4308, 09	ECJ1VB1C223K	C. CAPACITOR CH 16V 0.022U	2	
X900	H1C2705B0020	CRYSTAL OSCILLATOR	1		C4310, 11	ECJ3YB1C106K	C. CAPACITOR CH 16V 10U	2	
X901	H1C7415B0008	CRYSTAL OSCILLATOR	1		C4312	ECJ1VB1C223K	C. CAPACITOR CH 16V 0.022U	1	
X902	H1C7425B0008	CRYSTAL OSCILLATOR	1		C4313, 14	ECJ1VF1E104Z	C. CAPACITOR CH 25V 0.1U	2	
X1000	HOJ330500008	CRYSTAL OSCILLATOR	1		C4315	ECJ1VC1H330J	C. CAPACITOR CH 50V 33P	1	
X1100	H4G1487B0005	CRYSTAL OSCILLATOR	1		C4316, 17	ECJ1VF1E104Z	C. CAPACITOR CH 25V 0.1U	2	
X1600	HOJ327200115	CRYSTAL OSCILLATOR	1		C4318	EEHHP1A100R	E. CAPACITOR 10V 10U	1	
X2000	HOJ180500014	CRYSTAL OSCILLATOR	1		C4319, 20	ECJ1VF1E104Z	C. CAPACITOR CH 25V 0.1U	2	
X2300	HOJ246500002	CRYSTAL OSCILLATOR	1		C4321	ECJ1VC1H330J	C. CAPACITOR CH 50V 33P	1	
X2500	HOJ327200115	CRYSTAL OSCILLATOR	1		C4322	EEHHP1A100R	E. CAPACITOR 10V 10U	1	
X2700	HOJ300500024	CRYSTAL OSCILLATOR	1		C4323-25	ECJ1VF1E104Z	C. CAPACITOR CH 25V 0.1U	3	
X2800	HOJ300500024	CRYSTAL OSCILLATOR	1		C4326	ECJ1VC1H330J	C. CAPACITOR CH 50V 33P	1	
					C4327, 28	ECJ1VF1E104Z	C. CAPACITOR CH 25V 0.1U	2	
ZA3100, 01	K4CD01000017	TERMINAL	2		C4329	EEHHP1A100R	E. CAPACITOR 10V 10U	1	
ZA3105	K4CD01000017	TERMINAL	1		C4330, 31	ECJ1VF1E104Z	C. CAPACITOR CH 25V 0.1U	2	
					C4332	ECJ1VC1H330J	C. CAPACITOR CH 50V 33P	1	
		MISCELLANEOUS			C4333	EEHHP1A100R	E. CAPACITOR 10V 10U	1	
					C4401-04	ECJ1VC1H181J	C. CAPACITOR CH 50V 180P	4	
	VSC6117	MAIN SHIELD	1		C4405-12	ECJ1VF1E104Z	C. CAPACITOR CH 25V 0.1U	8	
	VMZ3811	SDI BARRIER	1		C4413-16	ECJ3YB1C106K	C. CAPACITOR CH 16V 10U	4	
	VMZ3460	MOTHER PB BARRIER (1)	1		C4417-20	F3G1A226A035	T. CAPACITOR CH6. 3V 22U	4	
	VJF1562	LOCKING CLAMP	1		C4421-24	F1J0J106A013	C. CAPACITOR CH6. 3V 10U	4	
	VG09611	COOLING SHEET 10X10	1		C4425-28	EEHHP1A100R	E. CAPACITOR 10V 10U	4	
	XYN26+J8FJ	SCREW	1		C4429-32	ECJ1VC1H330J	C. CAPACITOR CH 50V 33P	4	
					C4433-44	ECJ1VF1E104Z	C. CAPACITOR CH 25V 0.1U	12	
					C4501, 02	EEHHP1A100R	E. CAPACITOR 10V 10U	2	
					C4503	ECJ3YB1C106K	C. CAPACITOR CH 16V 10U	1	
					C4504, 05	ECJ1VF1E104Z	C. CAPACITOR CH 25V 0.1U	2	
					C4506	ECJ3YB1C106K	C. CAPACITOR CH 16V 10U	1	
					C4507	ECJ2FB1C225K	C. CAPACITOR CH 16V 2.2U	1	
					C4508	ECJ1VF1E104Z	C. CAPACITOR CH 25V 0.1U	1	
					C4509, 10	EEHHP1A100R	E. CAPACITOR 10V 10U	2	
					C4511	ECJ3YB1C106K	C. CAPACITOR CH 16V 10U	1	
					C4512, 13	ECJ1VF1E104Z	C. CAPACITOR CH 25V 0.1U	2	
					C4514	ECJ3YB1C106K	C. CAPACITOR CH 16V 10U	1	
					C4515	ECJ2FB1C225K	C. CAPACITOR CH 16V 2.2U	1	
					C4516	ECJ1VF1E104Z	C. CAPACITOR CH 25V 0.1U	1	
					C4517	ECJ1VC1H100D	C. CAPACITOR CH 50V 10P	1	
					C4518	ECJ3YB1C106K	C. CAPACITOR CH 16V 10U	1	
					C4519	ECJ1VF1E104Z	C. CAPACITOR CH 25V 0.1U	1	
					C4520	ECJ3YB1C106K	C. CAPACITOR CH 16V 10U	1	
					C4521	EEHHP1A100R	E. CAPACITOR 10V 10U	1	
					C4522	ECJ1VC1H102J	C. CAPACITOR CH 50V 1000P	1	
					C4523, 24	ECJ1VF1E104Z	C. CAPACITOR CH 25V 0.1U	2	
					C4525	ECJ1VC1H181J	C. CAPACITOR CH 50V 180P	1	
					C4526	ECJ1VC1H330J	C. CAPACITOR CH 50V 33P	1	
					C4527	EEHHP1A100R	E. CAPACITOR 10V 10U	1	
C4101, 02	ECJ1VF1E104Z	C. CAPACITOR CH 25V 0.1U	2						
C4103	ECJ1VC1H330J	C. CAPACITOR CH 50V 33P	1						
C4104, 05	ECJ1VF1E104Z	C. CAPACITOR CH 25V 0.1U	2						
C4106	ECJ1VC1H330J	C. CAPACITOR CH 50V 33P	1						
C4107	EEHHP1A100R	E. CAPACITOR 10V 10U	1						
C4108, 09	ECJ1VF1E104Z	C. CAPACITOR CH 25V 0.1U	2						
C4110	ECJ1VC1H330J	C. CAPACITOR CH 50V 33P	1						
C4111, 12	ECJ1VF1E104Z	C. CAPACITOR CH 25V 0.1U	2						
C4113	ECJ1VC1H330J	C. CAPACITOR CH 50V 33P	1						
C4114	EEHHP1A100R	E. CAPACITOR 10V 10U	1						
C4115, 16	ECJ1VF1E104Z	C. CAPACITOR CH 25V 0.1U	2						
C4117	ECJ1VC1H330J	C. CAPACITOR CH 50V 33P	1						
C4118, 19	ECJ1VF1E104Z	C. CAPACITOR CH 25V 0.1U	2						
C4120	ECJ1VC1H330J	C. CAPACITOR CH 50V 33P	1						
C4121-23	EEHHP1A100R	E. CAPACITOR 10V 10U	3						

Ref.No.	Part No.	Part Name & Description	Pcs	Remarks	Ref.No.	Part No.	Part Name & Description	Pcs	Remarks
C4528	EEHB1C100R	E. CAPACITOR 16V 10U	1		IC4409-12	COABBB000032	IC	4	
C4529	ECJ1VC1H102J	C. CAPACITOR CH 50V 1000P	1		IC4413, 14	COABBB000179	IC	2	
C4530, 31	ECJ1VF1E104Z	C. CAPACITOR CH 25V 0.1U	2		IC4501, 02	COFBAK000020	IC	2	
C4532	ECJ1VC1H181J	C. CAPACITOR CH 50V 180P	1		IC4503	COJBAZ001121	IC	1	
C4533	ECJ1VC1H330J	C. CAPACITOR CH 50V 33P	1		IC4504, 05	COFBK000038	IC	2	
C4534	EEHP1A100R	E. CAPACITOR 10V 10U	1		IC4506	COABBB000432	IC	1	
C4535	ECJ1VC1H100D	C. CAPACITOR CH 50V 10P	1		IC4507	COJBAR000432	IC	1	
C4536	ECJ3YB1C106K	C. CAPACITOR CH 16V 10U	1		IC4508	COABBB000432	IC	1	
C4537	ECJ1VF1E104Z	C. CAPACITOR CH 25V 0.1U	1		IC4509	COJBAR000432	IC	1	
C4538	ECJ3YB1C106K	C. CAPACITOR CH 16V 10U	1		IC4510	COABBB000179	IC	1	
C4539, 40	ECJ1VB1C105K	C. CAPACITOR CH 16V 1U	2		IC4511	C1AB00002729	IC	1	
C4541	ECJ1VC1H821J	C. CAPACITOR CH 50V 820P	1		IC4512	COABEB000023	IC	1	
C4542-44	ECJ1VF1E104Z	C. CAPACITOR CH 25V 0.1U	3		IC4513	C1BB00000820	IC	1	
C4545	ECJ1VB1C105K	C. CAPACITOR CH 16V 1U	1		IC4601-04	COJBAQ000148	IC	4	
C4546	F1L1A4760003	C. CAPACITOR CH 16V 47U	1		IC4605	COCBAD000042	IC	1	
C4547	ECJ1VF1E104Z	C. CAPACITOR CH 25V 0.1U	1		IC4606	COCBDB000004	IC	1	
C4549	ECJ1VC1H330J	C. CAPACITOR CH 50V 33P	1		IC4607	COCBAD000042	IC	1	
C4550, 51	ECJ1VF1E104Z	C. CAPACITOR CH 25V 0.1U	2		IC4608	COCBDC000008	IC	1	
C4552, 53	ECJ1VB1C105K	C. CAPACITOR CH 16V 1U	2		IC4609	COCBYY000021	IC	1	
C4554-57	F1L1A4760003	C. CAPACITOR CH 16V 47U	4		IC4610	COCBBC000053	IC	1	
C4558	ECJ1VC1H330J	C. CAPACITOR CH 50V 33P	1		IC4612	TVHT541FT	IC	1	
C4559	ECJ1VB1C105K	C. CAPACITOR CH 16V 1U	1						
C4560	ECJ1VF1E104Z	C. CAPACITOR CH 25V 0.1U	1		L4601-03	JOJHC0000032	FILTER	3	
C4561	ECJ1VB1C105K	C. CAPACITOR CH 16V 1U	1						
C4562	ECJ3YB1C106K	C. CAPACITOR CH 16V 10U	1		Q4401-08	2SD197900L	TRANSISTOR	8	
C4563	F1L1A4760003	C. CAPACITOR CH 16V 47U	1		Q4409-12	2SD1819A0L	TRANSISTOR	4	
C4564-67	ECJ1VF1E104Z	C. CAPACITOR CH 25V 0.1U	4		Q4413-16	2SD197900L	TRANSISTOR	4	
C4568, 69	ECJ1VC1H821J	C. CAPACITOR CH 50V 820P	2		Q4417-24	2SD1819A0L	TRANSISTOR	8	
C4601-04	ECJ1VF1E104Z	C. CAPACITOR CH 25V 0.1U	4		Q4425-32	UNR9113J0L	TRANSISTOR	8	
C4605	ECJ1VB1C105K	C. CAPACITOR CH 16V 1U	1		Q4433-40	UNR9213J0L	TRANSISTOR	8	
C4606	ECJ3YB1C106K	C. CAPACITOR CH 16V 10U	1		Q4501-04	2SD197900L	TRANSISTOR	4	
C4607	ECJ1VB1C105K	C. CAPACITOR CH 16V 1U	1		Q4505	UNR9113J0L	TRANSISTOR	1	
C4608	ECJ3YB1C106K	C. CAPACITOR CH 16V 10U	1		Q4506, 07	UNR9213J0L	TRANSISTOR	2	
C4609	ECJ1VB1C105K	C. CAPACITOR CH 16V 1U	1		Q4508	UNR9113J0L	TRANSISTOR	1	
C4610	ECJ3YB1C106K	C. CAPACITOR CH 16V 10U	1		Q4509, 10	2SB1219A0L	TRANSISTOR	2	
C4611	ECJ1VB1C105K	C. CAPACITOR CH 16V 1U	1		Q4601, 02	UNR9213J0L	TRANSISTOR	2	
C4612	ECJ3YB1C106K	C. CAPACITOR CH 16V 10U	1						
C4613	ECJ1VB1C105K	C. CAPACITOR CH 16V 1U	1		R4101-04	ERJ3RBD472	M. RESISTOR CH 1/16W 4.7K	4	
C4614	ECJ3YB1C106K	C. CAPACITOR CH 16V 10U	1		R4105, 06	ERJ3RBD103	M. RESISTOR CH 1/16W 10K	2	
C4615	ECJ1VB1C105K	C. CAPACITOR CH 16V 1U	1		R4107	ERJ3RBD273	M. RESISTOR CH 1/16W 27K	1	
C4616	ECJ3YB1C106K	C. CAPACITOR CH 16V 10U	1		R4108	ERJ3GEY0R00	M. RESISTOR CH 1/16W 0	1	
C4619	ECJ1VF1E104Z	C. CAPACITOR CH 25V 0.1U	1		R4109	ERJ3RBD472	M. RESISTOR CH 1/16W 4.7K	1	
C4620	ECJ1VC1H102J	C. CAPACITOR CH 50V 1000P	1		R4110	ERJ3GEYJ104	M. RESISTOR CH 1/16W 100K	1	
					R4111-14	ERJ3RBD472	M. RESISTOR CH 1/16W 4.7K	4	
CN4601	K1KA70BA0028	CONNECTOR (FEMALE)	1		R4115, 16	ERJ3RBD103	M. RESISTOR CH 1/16W 10K	2	
					R4117	ERJ3RBD273	M. RESISTOR CH 1/16W 27K	1	
D4301, 02	MA3J74200L	DIODE	2		R4118	ERJ3GEY0R00	M. RESISTOR CH 1/16W 0	1	
D4401-04	MA3J142K0L	DIODE	4		R4119	ERJ3RBD472	M. RESISTOR CH 1/16W 4.7K	1	
D4501-04	MA3J74200L	DIODE	4		R4120	ERJ3GEYJ104	M. RESISTOR CH 1/16W 100K	1	
D4505, 06	MA3J142D0L	DIODE	2		R4121-24	ERJ3RBD472	M. RESISTOR CH 1/16W 4.7K	4	
D4507	MA142WK	DIODE	1		R4125, 26	ERJ3RBD103	M. RESISTOR CH 1/16W 10K	2	
D4508	MA3J142D0L	DIODE	1		R4127	ERJ3RBD273	M. RESISTOR CH 1/16W 27K	1	
D4509	MA3J14300L	DIODE	1		R4128	ERJ3GEY0R00	M. RESISTOR CH 1/16W 0	1	
D4510, 11	MA142WK	DIODE	2		R4129	ERJ3RBD472	M. RESISTOR CH 1/16W 4.7K	1	
D4601	MA3J74200L	DIODE	1		R4130	ERJ3GEYJ104	M. RESISTOR CH 1/16W 100K	1	
					R4131	ERJ3RBD103	M. RESISTOR CH 1/16W 10K	1	
IC4101	COABBB000179	IC	1		R4132, 33	ERJ3GEYJ473	M. RESISTOR CH 1/16W 47K	2	
IC4102	COJBAR000432	IC	1		R4134	ERJ3RBD152	M. RESISTOR CH 1/16W 1.5K	1	
IC4103	COABBB000179	IC	1		R4135	ERJ3RBD122	M. RESISTOR CH 1/16W 1.2K	1	
IC4104	COJBAR000432	IC	1		R4136-41	ERJ3RBD472	M. RESISTOR CH 1/16W 4.7K	6	
IC4105	COABBB000179	IC	1		R4142	ERJ3GEYJ104	M. RESISTOR CH 1/16W 100K	1	
IC4106	COJBAR000432	IC	1		R4143	ERJ3RBD103	M. RESISTOR CH 1/16W 10K	1	
IC4107	COABBB000032	IC	1		R4144, 45	ERJ3GEYJ473	M. RESISTOR CH 1/16W 47K	2	
IC4108	COABBB000179	IC	1		R4146	ERJ3RBD152	M. RESISTOR CH 1/16W 1.5K	1	
IC4109	COABBB000032	IC	1		R4147	ERJ3RBD122	M. RESISTOR CH 1/16W 1.2K	1	
IC4201-04	COJBAZ000602	IC	4		R4148-53	ERJ3RBD472	M. RESISTOR CH 1/16W 4.7K	6	
IC4205-08	COABEB000023	IC	4		R4154	ERJ3GEYJ104	M. RESISTOR CH 1/16W 100K	1	
IC4209-12	COJBAR000432	IC	4		R4201	ERJ3GEYJ104	M. RESISTOR CH 1/16W 100K	1	
IC4301	C1AB00002501	IC	1		R4202	ERJ3RBD273	M. RESISTOR CH 1/16W 27K	1	
IC4302	TVHT541FT	IC	1		R4203	ERJ3RBD513	M. RESISTOR CH 1/16W 51K	1	
IC4303	COJBAR000432	IC	1		R4204	ERJ3RBD751	M. RESISTOR CH 1/16W 750	1	
IC4304	COABBB000032	IC	1		R4205	ERJ3GEYJ104	M. RESISTOR CH 1/16W 100K	1	
IC4305, 06	COJBAR000432	IC	2		R4206	ERJ3RBD273	M. RESISTOR CH 1/16W 27K	1	
IC4307	COABBB000032	IC	1		R4207	ERJ3RBD513	M. RESISTOR CH 1/16W 51K	1	
IC4308	COJBAR000432	IC	1		R4208	ERJ3RBD751	M. RESISTOR CH 1/16W 750	1	
IC4401-04	COJBAA000393	IC	4		R4209	ERJ3GEYJ104	M. RESISTOR CH 1/16W 100K	1	
IC4405-08	COJBAR000432	IC	4		R4210	ERJ3RBD273	M. RESISTOR CH 1/16W 27K	1	

Components identified with the mark Δ have the special characteristics for safety. When replacing any of these components, use only the same type.

Ref.No.	Part No.	Part Name & Description	Pcs	Remarks	Ref.No.	Part No.	Part Name & Description	Pcs	Remarks
C1109	F1H1C105A118	C. CAPACITOR CH 16V 1U	1		D1209	MA8068-M	DIODE	1	
C1201	ECJ1VB1H104K	C. CAPACITOR CH 50V 0.1U	1		D1210, 11	MA111	DIODE	2	
C1202	F1H1C105A118	C. CAPACITOR CH 16V 1U	1		D1212	MAZ81100ML	DIODE	1	
C1203	ECJ1VC1H331J	C. CAPACITOR CH 50V 330P	1		D1213	MA111	DIODE	1	
C1204	ECJ1VB1E683K	C. CAPACITOR CH 35V 0.068U	1		D1214, 15	MAZ82000HL	DIODE	2	
C1205	ECJ1VB1H472K	C. CAPACITOR CH 50V 4700P	1		D1216	MA8180-M	DIODE	1	
C1206	ECJ1VC1H100D	C. CAPACITOR CH 50V 10P	1		D1217	MA111	DIODE	1	
C1207	ECJ1VC1H101J	C. CAPACITOR CH 50V 100P	1		D1301, 02	MA112	DIODE	2	
C1208	ECJ1VB1H472K	C. CAPACITOR CH 50V 4700P	1		D1303	MAZ80510ML	DIODE	1	
C1209	ECJ1VB1H103K	C. CAPACITOR CH 50V 0.01U	1		D1304, 05	MA111	DIODE	2	
C1210	ECJ1VB1H102K	C. CAPACITOR CH 50V 1000P	1		D1401	BOJCPD000031	DIODE	1	
C1211	F1K1E1060004	C. CAPACITOR CH 25V 10U	1		D1402	MA729	DIODE	1	
C1212	ECJ1VC1H101J	C. CAPACITOR CH 50V 100P	1		D1403	MAZ80470ML	DIODE	1	
C1213	ECJ1VB1H104K	C. CAPACITOR CH 50V 0.1U	1		D1404	MA111	DIODE	1	
C1214	F1K1E1060004	C. CAPACITOR CH 25V 10U	1		D1405	BOJCPD000031	DIODE	1	
C1215	ECJ2FB1E225K	C. CAPACITOR CH 25V 2.2U	1		D1406	MA729	DIODE	1	
C1216	F1L2A105A010	C. CAPACITOR CH100V 1U	1		D1407	MAZ80360HL	DIODE	1	
C1217	F1K1E1060004	C. CAPACITOR CH 25V 10U	1		D1408	MA111	DIODE	1	
C1219	F1L2A105A010	C. CAPACITOR CH100V 1U	1		D1409	BOJCPD000031	DIODE	1	
C1220, 21	F1K1E1060004	C. CAPACITOR CH 25V 10U	2		D1410	MA729	DIODE	1	
C1222-24	F1L2A105A010	C. CAPACITOR CH100V 1U	3		D1411	MAZ80330HL	DIODE	1	
C1225	F2H1C8200001	E. CAPACITOR CH 16V 82U	1		D1412	MA111	DIODE	1	
C1226, 27	F1K1E1060004	C. CAPACITOR CH 25V 10U	2		D1413	BOJCPD000031	DIODE	1	
C1228	F1L2A105A010	C. CAPACITOR CH100V 1U	1		D1414	MA8068-M	DIODE	1	
C1229	F1K1E1060004	C. CAPACITOR CH 25V 10U	1		D1415, 16	MA111	DIODE	2	
C1230	ECJ1VB1H333K	C. CAPACITOR CH 50V 0.033U	1						
C1231	F1L2A105A010	C. CAPACITOR CH100V 1U	1		Δ F1101	K5H402300003	FUSE	1	
C1232	ECJ1VC1H470J	C. CAPACITOR CH 50V 47P	1						
C1233	F1H1C105A118	C. CAPACITOR CH 16V 1U	1		IC1101	COBBBA000084	IC	1	
C1235-37	ECJ2FB1E225K	C. CAPACITOR CH 25V 2.2U	3		IC1102	COCBADC00011	IC	1	
C1239	ECJ2FB1E225K	C. CAPACITOR CH 25V 2.2U	1		IC1201	CODBAY00437	IC	1	
C1301	F1H1E154A050	C. CAPACITOR CH 25V 0.15U	1		IC1202	CODBAKG00011	IC	1	
C1304	ECJ1VB1H102K	C. CAPACITOR CH 50V 1000P	1		IC1203	CODBAY00430	IC	1	
C1306	ECJ1VC1H221J	C. CAPACITOR CH 50V 220P	1		IC1301	CODBAZH00020	IC	1	
C1307	F1G1H391A571	C. CAPACITOR CH 50V 390P	1		IC1401	CODBAY00439	IC	1	
C1308	ECJ0EB1E103K	C. CAPACITOR CH 25V 0.01U	1		IC1402	CODBAKG00011	IC	1	
C1311	F1H1E154A050	C. CAPACITOR CH 25V 0.15U	1						
C1313, 14	F1J1E2240007	C. CAPACITOR CH 25V 0.22U	2		L1201, 02	G1C220MA0077	COIL 22UH	2	
C1315-17	F1K1E1060004	C. CAPACITOR CH 25V 10U	3		L1203, 04	G1A4R7HA0019	COIL 4.7UH	2	
C1318, 19	F2H0J2210003	E. CAPACITOR CH6.3V 220U	2		L1205	G1C4R5ZA0156	COIL 4.5UH	1	
C1320, 21	F1K1E1060004	C. CAPACITOR CH 25V 10U	2		L1206, 07	G1A220HA0032	COIL 22UH	2	
C1322, 23	F1L1C2260020	C. CAPACITOR CH 16V 22U	2		L1208	G1C100KA0055	COIL 10UH	1	
C1324	F1K1E1060004	C. CAPACITOR CH 25V 10U	1		L1209	G1C3R9MA0024	COIL 3.9UH	1	
C1401	F1L1C2260020	C. CAPACITOR CH 16V 22U	1		L1301-04	JOJBC0000107	FILTER	4	
C1402	ECJ1VC1H331J	C. CAPACITOR CH 50V 330P	1		L1305, 06	G1C150M00015	COIL 15UH	2	
C1404	F1J1E2240007	C. CAPACITOR CH 25V 0.22U	1		L1307, 08	G1C1R4ZA0119	COIL 1.4UH	2	
C1405	F1L1C2260020	C. CAPACITOR CH 16V 22U	1		L1309	G1C4R5ZA0156	COIL 4.5UH	1	
C1406	F1J1E2240007	C. CAPACITOR CH 25V 0.22U	1		L1401	G1C100M00030	COIL 10UH	1	
C1407	ECJ1VC1H681J	C. CAPACITOR CH 50V 680P	1		L1402	G1C6R4MA0240	COIL 6.4UH	1	
C1408	ECJ1VC1H470J	C. CAPACITOR CH 50V 47P	1		L1403	G1C4R7MA0240	COIL 4.7UH	1	
C1409	F1L1C2260020	C. CAPACITOR CH 16V 22U	1		L1404	G1C4R5ZA0156	COIL 4.5UH	1	
C1410	ECJ1VC1H681J	C. CAPACITOR CH 50V 680P	1		L1405	G1A4R7HA0019	COIL 4.7UH	1	
C1411	ECJ1VC1H470J	C. CAPACITOR CH 50V 47P	1		L1406	G1A220HA0032	COIL 22UH	1	
C1412	F1J1E2240007	C. CAPACITOR CH 25V 0.22U	1		L1407-10	G1C1R8ZA0156	COIL 1.8UH	4	
C1413-15	ECJ1VB1H223K	C. CAPACITOR CH 50V 0.022U	3						
C1416-18	F1L1C2260020	C. CAPACITOR CH 16V 22U	3		Δ PA1201	D4FBR200A003	THERMISTOR	1	
C1419-22	F1K1E1060004	C. CAPACITOR CH 25V 10U	4		Δ PA1202	D4FBR500A003	THERMISTOR	1	
C1423	ECJ2FB1E225K	C. CAPACITOR CH 25V 2.2U	1		Q1101	UNR9214JOL	TRANSISTOR	1	
C1427-29	F1L1C2260020	C. CAPACITOR CH 16V 22U	3		Q1102	2SD2216JOL	TRANSISTOR	1	
C1430	ECJ1VB1H222K	C. CAPACITOR CH 50V 2200P	1		Q1103	UNR9211JOL	TRANSISTOR	1	
C1431	ECJ1VC1H100D	C. CAPACITOR CH 50V 10P	1		Q1104	UNR9112JOL	TRANSISTOR	1	
C1432	ECJ1VB1H472K	C. CAPACITOR CH 50V 4700P	1		Q1105	UNR9113JOL	TRANSISTOR	1	
C1433	ECJ1VB1H104K	C. CAPACITOR CH 50V 0.1U	1		Q1106, 07	UNR9211JOL	TRANSISTOR	2	
C1434	F1K1E1060004	C. CAPACITOR CH 25V 10U	1		Q1201	XN4501	TRANSISTOR-RESISTOR	1	
C1435	F2H1A1510001	E. CAPACITOR CH 10V 150U	1		Q1202	2SD2216JOL	TRANSISTOR	1	
C1436, 37	F1K1E1060004	C. CAPACITOR CH 25V 10U	2		Q1203	UNR9213JOL	TRANSISTOR	1	
C1438	F1H1C105A118	C. CAPACITOR CH 16V 1U	1		Q1204	2SD2216JOL	TRANSISTOR	1	
					Q1205	UNR9213JOL	TRANSISTOR	1	
CN1101	K1KA60B00059	CONNECTOR (MALE)	1		Q1206, 07	2SD2216JOL	TRANSISTOR	2	
					Q1208	2SD1821OHL	TRANSISTOR	1	
D1101, 02	MA111	DIODE	2		Q1209, 10	XN4501	TRANSISTOR-RESISTOR	2	
D1201	MAZ80620ML	DIODE	1		Q1211, 12	UNR9213JOL	TRANSISTOR	2	
D1202	MAZ81100ML	DIODE	1		Q1301, 02	UNR9213JOL	TRANSISTOR	2	
D1203	BOJCPD000031	DIODE	1		Q1303, 04	B1MBFDA00005	TRANSISTOR	2	
D1204	BOHCKP000004	DIODE	1		Q1305-07	XN4501	TRANSISTOR-RESISTOR	3	
D1205, 06	MA111	DIODE	2		Q1308	UNR9213JOL	TRANSISTOR	1	
D1207, 08	BOJCPD000031	DIODE	2						

Ref. No.	Part No.	Part Name & Description	Pcs	Remarks
Q1401-03	XN4501	TRANSISTOR-RESISTOR	3	
Q1404, 05	UNR9213J0L	TRANSISTOR	2	
Q1406	XN4501	TRANSISTOR-RESISTOR	1	
Q1407, 08	UNR9213J0L	TRANSISTOR	2	
R1102	ERJ2RHD102	M. RESISTOR CH 1/16W 1K	1	
R1103	ERJ2RHD332	M. RESISTOR CH 1/16W 3.3K	1	
R1104	ERJ2RHD473	M. RESISTOR CH 1/16W 47K	1	
R1105-07	ERJ2RHD563	M. RESISTOR CH 1/16W 56K	3	
R1108	ERJ2RHD913	M. RESISTOR CH 1/16W 91K	1	
R1109	ERJ3GEYJ330	M. RESISTOR CH 1/16W 33	1	
R1110-12	ERJ2RHD223	M. RESISTOR CH 1/16W 22K	3	
R1113, 14	DOYAR0000007	M. RESISTOR CH 1/16W 0	2	
R1115	ERJ2RHD102	M. RESISTOR CH 1/16W 1K	1	
R1117	DOYAR0000007	M. RESISTOR CH 1/16W 0	1	
R1201	ERJ2GEJ153	M. RESISTOR CH 1/16W 15K	1	
R1202	DOYAR0000007	M. RESISTOR CH 1/16W 0	1	
R1203	ERJ2RHD103	M. RESISTOR CH 1/16W 10K	1	
R1204	ERJ2RHD223	M. RESISTOR CH 1/16W 22K	1	
R1205	ERJ2RHD563	M. RESISTOR CH 1/16W 56K	1	
R1206	ERJ2RHD473	M. RESISTOR CH 1/16W 47K	1	
R1207	ERJ2RHD153	M. RESISTOR CH 1/16W 15K	1	
R1208, 09	ERJ2RHD103	M. RESISTOR CH 1/16W 10K	2	
R1210	ERJ2RKD334	M. RESISTOR CH 1/10W 330K	1	
R1211	ERJ2RHD103	M. RESISTOR CH 1/16W 10K	1	
R1212	ERJ2RHD273	M. RESISTOR CH 1/16W 27K	1	
R1213	ERJ2RHD103	M. RESISTOR CH 1/16W 10K	1	
R1214	ERJ2RHD563	M. RESISTOR CH 1/16W 56K	1	
R1215	ERJ2RHD753	M. RESISTOR CH 1/16W 75K	1	
R1216	ERJ2RHD203	M. RESISTOR CH 1/16W 20K	1	
R1217	ERJ2GEJ822	M. RESISTOR CH 1/16W 8.2K	1	
R1218	ERJ2RHD912	M. RESISTOR CH 1/16W 9.1K	1	
R1219	ERJ2RHD471	M. RESISTOR CH 1/16W 470	1	
R1220	ERJ2RHD563	M. RESISTOR CH 1/16W 56K	1	
R1221	ERJ2RHD222	M. RESISTOR CH 1/16W 2.2M	1	
R1222	ERJ2RHD163	M. RESISTOR CH 1/16W 16K	1	
R1223	ERJ3GEYG102	M. RESISTOR CH 1/16W 1K	1	
R1224	ERJ2RHD473	M. RESISTOR CH 1/16W 47K	1	
R1225	ERJ2RKD364	M. RESISTOR CH 1/16W 360K	1	
R1226	ERJ2RHD123	M. RESISTOR CH 1/16W 12K	1	
R1227	ERJ2RHD563	M. RESISTOR CH 1/16W 56K	1	
R1228	ERJ3GEYG102	M. RESISTOR CH 1/16W 1K	1	
R1229	ERJ2RHD103	M. RESISTOR CH 1/16W 10K	1	
R1230	ERJ2RKD134	M. RESISTOR CH 1/16W 130K	1	
R1231	ERJ2RHD273	M. RESISTOR CH 1/16W 27K	1	
R1232	ERJ2RHD333	M. RESISTOR CH 1/16W 33K	1	
R1233	ERJ2RKD124	M. RESISTOR CH 1/16W 120K	1	
R1234	ERJ2RHD153	M. RESISTOR CH 1/16W 15K	1	
R1235, 36	ERJ2RHD563	M. RESISTOR CH 1/16W 56K	2	
R1237	ERJ3GEYG102	M. RESISTOR CH 1/16W 1K	1	
R1238, 39	DOYAR0000007	M. RESISTOR CH 1/16W 0	2	
R1240	ERJ2RKD204	M. RESISTOR CH 1/16W 20K	1	
R1241	ERJ2RKD304	M. RESISTOR CH 1/16W 30K	1	
R1243	ERJ2RKD184	M. RESISTOR CH 1/16W 180K	1	
R1244	ERJ2RHD392	M. RESISTOR CH 1/16W 3.9K	1	
R1245	ERJ2RHD563	M. RESISTOR CH 1/16W 56K	1	
R1246	ERJ2RHD102	M. RESISTOR CH 1/16W 1K	1	
R1301	ERJ2RHD103	M. RESISTOR CH 1/16W 10K	1	
R1303	ERJ2RHD563	M. RESISTOR CH 1/16W 56K	1	
R1304	ERJ2RHD223	M. RESISTOR CH 1/16W 22K	1	
R1305	ERJ2RHD103	M. RESISTOR CH 1/16W 10K	1	
R1306	ERJ2RHD333	M. RESISTOR CH 1/16W 33K	1	
R1307	ERJ2RHD562	M. RESISTOR CH 1/16W 5.6K	1	
R1308	ERJ2RHD362	M. RESISTOR CH 1/16W 3.6K	1	
R1309	ERJ2RHD331	M. RESISTOR CH 1/16W 330	1	
R1311, 12	ERJ2RKD334	M. RESISTOR CH 1/10W 330K	2	
R1313	ERJ6GEYJ100	M. RESISTOR CH 1/10W 10	1	
R1314, 15	ERJM1WSF15MU	M. RESISTOR 1W	2	
R1316	ERJ3GEYG102	M. RESISTOR CH 1/16W 1K	1	
R1317	ERJ2RHD103	M. RESISTOR CH 1/16W 10K	1	
R1318	ERJ2RHD563	M. RESISTOR CH 1/16W 56K	1	
R1319, 20	ERJ2RHD333	M. RESISTOR CH 1/16W 33K	2	
R1321	ERJ2RHD103	M. RESISTOR CH 1/16W 10K	1	
R1322	ERJ2RHD563	M. RESISTOR CH 1/16W 56K	1	
R1323	ERJ2RKD124	M. RESISTOR CH 1/16W 120K	1	
R1324	ERJ2RHD473	M. RESISTOR CH 1/16W 47K	1	
R1325	ERJ2RHD333	M. RESISTOR CH 1/16W 33K	1	

Ref. No.	Part No.	Part Name & Description	Pcs	Remarks
R1326	DOYAR0000007	M. RESISTOR CH 1/16W 0	1	
R1327	ERJ2RHD563	M. RESISTOR CH 1/16W 56K	1	
R1329-31	DOYAR0000007	M. RESISTOR CH 1/16W 0	3	
R1333	ERJ2RHD563	M. RESISTOR CH 1/16W 56K	1	
R1334	ERJ2RHD102	M. RESISTOR CH 1/16W 1K	1	
R1335	ERJ2RHD563	M. RESISTOR CH 1/16W 56K	1	
R1401	ERJ2RHD303	M. RESISTOR CH 1/16W 30K	1	
R1402	ERJ2RHD202	M. RESISTOR CH 1/16W 2K	1	
R1403	ERJ2RHD103	M. RESISTOR CH 1/16W 10K	1	
R1404	ERJ2RHD223	M. RESISTOR CH 1/16W 22K	1	
R1405	DOYAR0000007	M. RESISTOR CH 1/16W 0	1	
R1406	ERJ3GEYG102	M. RESISTOR CH 1/16W 1K	1	
R1407	ERJ2RKD124	M. RESISTOR CH 1/16W 120K	1	
R1408	ERJ2RHD563	M. RESISTOR CH 1/16W 56K	1	
R1409	ERJ2RHD333	M. RESISTOR CH 1/16W 33K	1	
R1410	ERJ2RHD203	M. RESISTOR CH 1/16W 20K	1	
R1411	ERJ2RHD242	M. RESISTOR CH 1/16W 2.4K	1	
R1412	ERJ2RHD103	M. RESISTOR CH 1/16W 10K	1	
R1413	DOYAR0000007	M. RESISTOR CH 1/16W 0	1	
R1414	ERJ3GEYG102	M. RESISTOR CH 1/16W 1K	1	
R1415	ERJ2RHD104	M. RESISTOR CH 1/16W 100K	1	
R1416	ERJ2RHD683	M. RESISTOR CH 1/16W 68K	1	
R1417	ERJ2RHD563	M. RESISTOR CH 1/16W 56K	1	
R1418	ERJ2RHD223	M. RESISTOR CH 1/16W 22K	1	
R1419	ERJ2RHD133	M. RESISTOR CH 1/16W 13K	1	
R1420	ERJ2RHD681	M. RESISTOR CH 2W 680	1	
R1421	ERJ2RHD103	M. RESISTOR CH 1/16W 10K	1	
R1422	ERJ2RHD223	M. RESISTOR CH 1/16W 22K	1	
R1423	DOYAR0000007	M. RESISTOR CH 1/16W 0	1	
R1424	ERJ3GEYG102	M. RESISTOR CH 1/16W 1K	1	
R1425	ERJ2RHD104	M. RESISTOR CH 1/16W 100K	1	
R1426	ERJ2RKD114	M. RESISTOR CH 1/16W 140K	1	
R1427	ERJ2RHD563	M. RESISTOR CH 1/16W 56K	1	
R1428	ERJ2RHD333	M. RESISTOR CH 1/16W 33K	1	
R1429	ERJ2RHD104	M. RESISTOR CH 1/16W 100K	1	
R1430	ERJ2RHD332	M. RESISTOR CH 1/16W 3.3K	1	
R1431	ERJ2RHD563	M. RESISTOR CH 1/16W 56K	1	
R1432, 33	ERJ2RHD104	M. RESISTOR CH 1/16W 100K	2	
R1434	ERJ2RHD682	M. RESISTOR CH 1/16W 6.8K	1	
R1435-40	DOYAR0000007	M. RESISTOR CH 1/16W 0	6	
R1441	ERJ2RHD683	M. RESISTOR CH 1/16W 68K	1	
R1442	ERJ2RKD334	M. RESISTOR CH 1/10W 330K	1	
R1443	ERJ2GEJ563	M. RESISTOR CH 1/16W 56K	1	
R1444	ERJ2RHD912	M. RESISTOR CH 1/16W 9.1K	1	
R1445	ERJ2RHD273	M. RESISTOR CH 1/16W 27K	1	
R1446	ERJ2RHD242	M. RESISTOR CH 1/16W 2.4K	1	
R1447	ERJ3GEYG102	M. RESISTOR CH 1/16W 1K	1	
R1448	ERJ2RKD124	M. RESISTOR CH 1/16W 120K	1	
R1449	ERJ2RHD333	M. RESISTOR CH 1/16W 33K	1	
R1450	ERJ2RHD563	M. RESISTOR CH 1/16W 56K	1	
R1451	DOYAR0000007	M. RESISTOR CH 1/16W 0	1	
R1452, 53	ERJ2RKD304	M. RESISTOR CH 1/16W 30K	2	
R1454	ERJ2RHD102	M. RESISTOR CH 1/16W 1K	1	
R1455	ERJ2RHD563	M. RESISTOR CH 1/16W 56K	1	
R1456	ERJ2RHD102	M. RESISTOR CH 1/16W 1K	1	
T1201	G1C4R5ZA0211	COIL	4.5UH	1
■ E4	VEP01A19A	POWER SUB P. C. BOARD		1 (RTL)
C103-07	ECJ1VB1H103K	C. CAPACITOR CH 50V 0.01U	5	
C108, 09	ECJ0EB1H101K	C. CAPACITOR CH 50V 100P	2	
C110, 11	F1G1H1020008	C. CAPACITOR CH 50V 1000P	2	
C112	ECJ1VB1H103K	C. CAPACITOR CH 50V 0.01U	1	
C113	ECJ1VB1H102K	C. CAPACITOR CH 50V 1000P	1	
C201, 02	EEEFK1J4R7	E. CAPACITOR 63V 4.7U	2	
C203	F1G1H330A565	C. CAPACITOR CH 50V 33P	1	
C204, 05	F1G1C104A083	C. CAPACITOR CH 16V 0.1U	2	
C206	F1G1H330A565	C. CAPACITOR CH 50V 33P	1	
C207, 08	EEEFK1J4R7	E. CAPACITOR 63V 4.7U	2	
C209	F1G1H330A565	C. CAPACITOR CH 50V 33P	1	
C210, 11	F1G1C104A083	C. CAPACITOR CH 16V 0.1U	2	

Components identified with the mark Δ have the special characteristics for safety. When replacing any of these components, use only the same type.

Ref.No.	Part No.	Part Name & Description	Pcs	Remarks	Ref.No.	Part No.	Part Name & Description	Pcs	Remarks
C212	F1G1H330A565	C. CAPACITOR CH 50V 33P	1		R115	ERJ3GEYOR00	M. RESISTOR CH 1/16W 0	1	
C213	F1J2A104A023	C. CAPACITOR CH100V 0.1U	1		R121-30	ERJ3GEYOR00	M. RESISTOR CH 1/16W 0	10	
C214	EEEFK1J4R7	E. CAPACITOR 63V 4.7U	1		R131, 32	ERJ2GEJ104	M. RESISTOR CH 1/16W 100K	2	
C215	F1G1C104A083	C. CAPACITOR CH 16V 0.1U	1		R133	ERJ2GEJ473	M. RESISTOR CH 1/16W 47K	1	
C216	F1J2A104A023	C. CAPACITOR CH100V 0.1U	1		R201	ERJ3GEYG472	M. RESISTOR CH 1/16W 4.7K	1	
C217	F1G1C104A083	C. CAPACITOR CH 16V 0.1U	1		R202	ERJ3GEYJ473	M. RESISTOR CH 1/16W 47K	1	
C218	F1H1C105A118	C. CAPACITOR CH 16V 1U	1		R203	ERJ2RHD101	M. RESISTOR CH 1/16W 100	1	
C219	ECJ3YB1C106K	C. CAPACITOR CH 16V 10U	1		R204	ERJ2RHD472	M. RESISTOR CH 1/16W 4.7K	1	
C220	F1H1C105A118	C. CAPACITOR CH 16V 1U	1		R205	ERJ2RHD473	M. RESISTOR CH 1/16W 47K	1	
C221	ECJ3YB1C106K	C. CAPACITOR CH 16V 10U	1		R206	ERJ2RHD101	M. RESISTOR CH 1/16W 100	1	
Δ CB101	K5JDKB000012	BREAKER	1		R207	ERJ2RHD472	M. RESISTOR CH 1/16W 4.7K	1	
CN101	K1KA02A00735	CONNECTOR (MALE)	1		R208	ERJ2RHD471	M. RESISTOR CH 1/16W 470	1	
CN102	K1KA03AA0500	CONNECTOR (MALE)	1		R209	ERJ2RHD241	M. RESISTOR CH 1/16W 240	1	
CN103, 04	K1KA02A00164	CONNECTOR (MALE)	2		R210	ERJ2GEJ474	M. RESISTOR CH 1/16W 470K	1	
CN105	K1KA02A00023	CONNECTOR (MALE)	1		R211	ERJ3GEYG472	M. RESISTOR CH 1/16W 4.7K	1	
CN106	K1KA10A00192	CONNECTOR (MALE)	1		R212	ERJ3GEYJ473	M. RESISTOR CH 1/16W 47K	1	
CN107	K1KB10A00001	CONNECTOR (FEMALE)	1		R213	ERJ2RHD101	M. RESISTOR CH 1/16W 100	1	
CN201	K1MN24AA0018	CONNECTOR	1		R214	ERJ2RHD472	M. RESISTOR CH 1/16W 4.7K	1	
CN202	K1KA50AA0240	CONNECTOR (MALE)	1		R215	ERJ2RHD473	M. RESISTOR CH 1/16W 47K	1	
D101	B0JBE000056	DIODE	1		R216	ERJ2RHD101	M. RESISTOR CH 1/16W 100	1	
D102	MA8130-M	DIODE	1		R217	ERJ2RHD472	M. RESISTOR CH 1/16W 4.7K	1	
D103	MAZ80560HL	DIODE	1		R218	ERJ2RHD471	M. RESISTOR CH 1/16W 470	1	
D104, 05	MA8068-M	DIODE	2		R219	ERJ2RHD241	M. RESISTOR CH 1/16W 240	1	
D107, 08	B0HCM0000006	DIODE	2		R220-22	ERJ2GEJ474	M. RESISTOR CH 1/16W 470K	3	
D109-13	D4ED1270A007	VARIABLE	5		R223, 24	ERJ2GEJ224	M. RESISTOR CH 1/16W 220K	2	
D115	MA3S13300L	DIODE	1		R225	ERJ2GEJ473	M. RESISTOR CH 1/16W 47K	1	
D201-04	MA3S13300L	DIODE	4		R226	ERJ2GEJ333	M. RESISTOR CH 1/16W 33K	1	
D205	MA3J74200L	DIODE	1		R227	ERJ3GEYJ273	M. RESISTOR CH 1/16W 27K	1	
Δ F101	K5H183AA0013	FUSE	1		R228, 29	ERJ2GEJ473	M. RESISTOR CH 1/16W 47K	2	
Δ F102	K5H402300003	FUSE	1		R230, 31	ERJ2GEJ474	M. RESISTOR CH 1/16W 470K	2	
Δ F103	K5H312300005	FUSE	1		R232, 33	ERJ2GEJ224	M. RESISTOR CH 1/16W 220K	2	
Δ F104	K5H202300011	FUSE	1		R234	ERJ2GEJ473	M. RESISTOR CH 1/16W 47K	1	
Δ F105	K5H402300003	FUSE	1		R235	ERJ2GEJ333	M. RESISTOR CH 1/16W 33K	1	
IC201, 02	C0ABB0000396	IC	2		R236	ERJ2GEJ473	M. RESISTOR CH 1/16W 47K	1	
IC203, 04	C0JBAD000207	IC	2		R237	ERJ3GEYOR00	M. RESISTOR CH 1/16W 0	1	
IC205	C0CBDC000008	IC	1		R239	ERJ3GEYOR00	M. RESISTOR CH 1/16W 0	1	
IC206	XC62DN5002M	IC	1		R240	ERJ3GEYJ121	M. RESISTOR CH 1/16W 120	1	
L101-06	VLP0183	COIL	6		R241, 42	ERJ2GEJ474	M. RESISTOR CH 1/16W 470K	2	
L107	JOJBC0000019	FILTER	1		ZA101	K4CDO1000017	TERMINAL	1	
L108	JOJKC0000009	FILTER	1		■ E5	VEPO3H69A	P2 CARD P. C. BOARD	1 (RTL)	
L109-14	JOJBC0000019	FILTER	6		C102	F1J0J106A020	C. CAPACITOR CH6. 3V 10U	1	
L115	JOJKC0000009	FILTER	1		C103	F1G1A1040006	C. CAPACITOR CH 10V 0.01U	1	
L116	JOJBC0000019	FILTER	1		C104	F1J0J106A020	C. CAPACITOR CH6. 3V 10U	1	
PC101	B3PBA0000215	PHOTO COUPLER	1		C106	F1J0J106A020	C. CAPACITOR CH6. 3V 10U	1	
Q101	B1CHR0000015	TRANSISTOR	1		C107	F1G1A1040006	C. CAPACITOR CH 10V 0.01U	1	
Q102	UNR9113J0L	TRANSISTOR	1		C108	F1J0J106A020	C. CAPACITOR CH6. 3V 10U	1	
Q103-05	UNR9213J0L	TRANSISTOR	3		C109	F1G1A1040006	C. CAPACITOR CH 10V 0.01U	1	
Q106	UNR9113J0L	TRANSISTOR	1		C110	F1J0J106A020	C. CAPACITOR CH6. 3V 10U	1	
Q107	UNR9213J0L	TRANSISTOR	1		C111	F1G1A1040006	C. CAPACITOR CH 10V 0.01U	1	
Q108	2SD1820A0L	TRANSISTOR	1		C112	F1J0J106A020	C. CAPACITOR CH6. 3V 10U	1	
Q109, 10	2SB1462J0L	TRANSISTOR	2		C113	F1G1A1040006	C. CAPACITOR CH 10V 0.01U	1	
Q111	UNR9213J0L	TRANSISTOR	1		C117, 18	F1G1A1040006	C. CAPACITOR CH 10V 0.01U	2	
Q201	2SB12200RL	TRANSISTOR	1		C200	F2H0J4710003	C. CAPACITOR CH6. 3V 470P	1	
Q202, 03	2SD18210HL	TRANSISTOR	2		C201	F1J0J106A020	C. CAPACITOR CH6. 3V 10U	1	
Q204	2SB12200RL	TRANSISTOR	1		C202	F1G1A1040006	C. CAPACITOR CH 10V 0.01U	1	
Q205	2SD18210HL	TRANSISTOR	1		C203	F1G1E1030005	C. CAPACITOR CH 25V 0.01U	1	
R101	ERJ3GEYJ222	M. RESISTOR CH 1/16W 2.2K	1		C204	F1G1H101A565	C. CAPACITOR CH 50V 100P	1	
R102	ERJ2GEJ224	M. RESISTOR CH 1/16W 220K	1		C205	F1J0J106A020	C. CAPACITOR CH6. 3V 10U	1	
R103	ERJ2GEJ473	M. RESISTOR CH 1/16W 47K	1		C206, 07	F1G1E1030005	C. CAPACITOR CH 25V 0.01U	2	
R104, 05	ERJ2GEJ103	M. RESISTOR CH 1/16W 10K	2		C208	F1G1A474A018	C. CAPACITOR CH 10V 0.47U	1	
R106	D0GF272JA002	M. RESISTOR CH 1/16W 2.7K	1		C209	F1G1E1030005	C. CAPACITOR CH 25V 0.01U	1	
R107	ERJ6GEYG103	M. RESISTOR CH 1/10W 10K	1		C210	F1G1A474A018	C. CAPACITOR CH 10V 0.47U	1	
R109	ERJ2GEJ103	M. RESISTOR CH 1/16W 10K	1		C211	F1G1E1030005	C. CAPACITOR CH 25V 0.01U	1	
R110	ERJ2GEJ473	M. RESISTOR CH 1/16W 47K	1		C214	F1J0J106A020	C. CAPACITOR CH6. 3V 10U	1	
R111	ERJ2GEJ332	M. RESISTOR CH 1/16W 3.3K	1		C215	F1G1E1030005	C. CAPACITOR CH 25V 0.01U	1	
R112	ERJ2GEJ103	M. RESISTOR CH 1/16W 10K	1		C216, 17	ECJ0EB1H271K	C. CAPACITOR CH 50V 270P	2	
R113	ERJ2GEJ473	M. RESISTOR CH 1/16W 47K	1		C218	ECJ0EC1H181J	C. CAPACITOR CH 50V 180P	1	
R114	ERJ3GEYJ100	M. RESISTOR CH 1/16W 10	1		C219	F1G1E1030005	C. CAPACITOR CH 25V 0.01U	1	
					C220	ECJ0EC1H181J	C. CAPACITOR CH 50V 180P	1	

Ref.No.	Part No.	Part Name & Description	Pcs	Remarks
C221	F1G1E1030005	C. CAPACITOR CH 25V 0.01U	1	
C224	F1J0J106A020	C. CAPACITOR CH6. 3V 10U	1	
C225	F1G1E1030005	C. CAPACITOR CH 25V 0.01U	1	
C226, 27	F1G1H101A565	C. CAPACITOR CH 50V 100P	2	
C228	F1G1E1030005	C. CAPACITOR CH 25V 0.01U	1	
C231-33	F1G1E1030005	C. CAPACITOR CH 25V 0.01U	3	
C234, 35	EGJOEC1H181J	C. CAPACITOR CH 50V 180P	2	
C236	F1G1E1030005	C. CAPACITOR CH 25V 0.01U	1	
C237	F1G1A1040006	C. CAPACITOR CH 10V 0.01U	1	
C238	F2H0J4710003	C. CAPACITOR CH6. 3V 470P	1	
C239	F1G1A1040006	C. CAPACITOR CH 10V 0.01U	1	
C241	F1G1A1040006	C. CAPACITOR CH 10V 0.01U	1	
C243	F1G1A1040006	C. CAPACITOR CH 10V 0.01U	1	
C244	F1J0J106A020	C. CAPACITOR CH6. 3V 10U	1	
C245	F1G1A1040006	C. CAPACITOR CH 10V 0.01U	1	
C246	F1J0J106A020	C. CAPACITOR CH6. 3V 10U	1	
C247	F1G1A1040006	C. CAPACITOR CH 10V 0.01U	1	
C250	F1G1A1040006	C. CAPACITOR CH 10V 0.01U	1	
C252	F1J0J106A020	C. CAPACITOR CH6. 3V 10U	1	
C253	F1G1A1040006	C. CAPACITOR CH 10V 0.01U	1	
C254	F1G1H101A565	C. CAPACITOR CH 50V 100P	1	
C255, 56	F1G1A1040006	C. CAPACITOR CH 10V 0.01U	2	
C257	F1G1H101A565	C. CAPACITOR CH 50V 100P	1	
C258, 59	F1G1A1040006	C. CAPACITOR CH 10V 0.01U	2	
C260	F1G1H101A565	C. CAPACITOR CH 50V 100P	1	
C261, 62	F1G1A1040006	C. CAPACITOR CH 10V 0.01U	2	
CN100	K1KA70BA0028	CONNECTOR (FEMALE)	1	
CN101	K1MR70B00004	CONNECTOR	1	
CN102	K1KA20A00309	CONNECTOR (MALE)	1	
CN200	K1NA68E00091	CONNECTOR	1	
CN201	K1NA68E00090	CONNECTOR	1	
CN202	K1YYZ000049	CARD HOLDER B	1	
CN203	K1YYZ000048	CARD HOLDER A	1	
D100-03	LNJ115W88RA	DIODE	4	
D104	MAZJ72800L	DIODE	1	
IC103	COJBAB000832	IC	1	
IC104	COJBAA000362	IC	1	
IC200	C1DB00001179	IC	1	
IC201, 02	COJBAA000362	IC	2	
IC204-06	COJBAZ001728	IC	3	
IC207	COJBAA000321	IC	1	
L100	JOJHC0000032	FILTER	1	
L101, 02	JOJKC0000009	FILTER	2	
L200-03	JOJHC0000032	FILTER	4	
L204-06	JOJDC0000102	FILTER	3	
L207, 08	JOJHC0000032	FILTER	2	
L209-11	JOJCC0000405	FERRITE CORE	3	
Q100	UNR9115J0L	TRANSISTOR	1	
Q101, 02	XP0411500L	TRANSISTOR	2	
Q200-02	B1DHC000036	TRANSISTOR	3	
Q203	UNR9213J0L	TRANSISTOR	1	
R100-08	EXBN8V220J	COMBI. R-R	22	9
R109	ERJ2GEJ220	M. RESISTOR CH 1/16W	22	1
R110-12	ERJ2GEJ330	M. RESISTOR CH 1/16W	33	3
R115, 16	ERJ2GEJ330	M. RESISTOR CH 1/16W	33	2
R117, 18	ERJ2GEJ181	M. RESISTOR CH 1/16W	180	2
R119	ERJ2GEJ821	M. RESISTOR CH 1/16W	820	1
R120	ERJ2GEJ181	M. RESISTOR CH 1/16W	180	1
R121	ERJ2GEJ821	M. RESISTOR CH 1/16W	820	1
R122	ERJ2GEJ103	M. RESISTOR CH 1/16W	10K	1
R123	EXBN8V473J	COMBI. R-R	47K	1
R124, 25	ERJ2GEJ330	M. RESISTOR CH 1/16W	33	2
R126, 27	ERJ2GEJ181	M. RESISTOR CH 1/16W	180	2
R128, 29	ERJ2GEJ821	M. RESISTOR CH 1/16W	820	2
R138	DOYAR0000007	M. RESISTOR CH 1/16W	0	1
R143-49	ERJ2GEJ330	M. RESISTOR CH 1/16W	33	7
R150	ERJ2GEJ472	M. RESISTOR CH 1/16W	4.7K	1
R151	EXBN8V220J	COMBI. R-R	22	1
R153, 54	ERJ2GEJ330	M. RESISTOR CH 1/16W	33	2
R155-57	ERJ2GEJ220	M. RESISTOR CH 1/16W	22	3
R161	ERJ2GEJ101	M. RESISTOR CH 1/16W	100	1

Ref.No.	Part No.	Part Name & Description	Pcs	Remarks
R162-68	ERJ2GEJ220	M. RESISTOR CH 1/16W	22	7
R179	EXBN8V220J	COMBI. R-R	22	1
R189	ERJ2GEJ472	M. RESISTOR CH 1/16W	4.7K	1
R190-95	ERJ3GEYOR00	M. RESISTOR CH 1/16W	0	6
R196	ERJ2GEJ103	M. RESISTOR CH 1/16W	10K	1
R200-08	EXBN8V220J	COMBI. R-R	22	9
R209	ERJ2GEJ220	M. RESISTOR CH 1/16W	22	1
R210	ERJ2GEJ101	M. RESISTOR CH 1/16W	100	1
R211, 12	ERJ2GEJ330	M. RESISTOR CH 1/16W	33	2
R215	ERJ2GEJ103	M. RESISTOR CH 1/16W	10K	1
R216	ERJ2GEJ220	M. RESISTOR CH 1/16W	22	1
R217, 18	ERJ2GEJ104	M. RESISTOR CH 1/16W	100K	2
R220	ERJ2GEJ102	M. RESISTOR CH 1/16W	1K	1
R222	DOYAR0000007	M. RESISTOR CH 1/16W	0	1
R224	DOYAR0000007	M. RESISTOR CH 1/16W	0	1
R226	ERJ2GEJ102	M. RESISTOR CH 1/16W	1K	1
R228	ERJ2GEJ103	M. RESISTOR CH 1/16W	10K	1
R231	ERJ2GEJ103	M. RESISTOR CH 1/16W	10K	1
R234-36	DOYAR0000007	M. RESISTOR CH 1/16W	0	3
R237	ERJ2GEJ104	M. RESISTOR CH 1/16W	100K	1
R240, 41	ERJ2GEJ103	M. RESISTOR CH 1/16W	10K	2
R243	ERJ2GEJ103	M. RESISTOR CH 1/16W	10K	1
R245	ERJ2GEJ103	M. RESISTOR CH 1/16W	10K	1
R248	ERJ2GEJ102	M. RESISTOR CH 1/16W	1K	1
R249	ERJ2GEJ103	M. RESISTOR CH 1/16W	10K	1
R251	ERJ2GEJ104	M. RESISTOR CH 1/16W	100K	1
R252	ERJ2GEJ103	M. RESISTOR CH 1/16W	10K	1
R253-67	EXBN8V750J	COMBI. R-R	75	15
R268-70	ERJ2GEJ750	M. RESISTOR CH 1/16W	75	3
R271, 72	ERJ2GEJ103	M. RESISTOR CH 1/16W	10K	2
R279, 80	ERJ2GEJ103	M. RESISTOR CH 1/16W	10K	2
R281-83	ERJ2GEJ750	M. RESISTOR CH 1/16W	75	3
R284-98	EXBN8V750J	COMBI. R-R	75	15
R299	ERJ2GEJ103	M. RESISTOR CH 1/16W	10K	1
R300	ERJ2GEJ104	M. RESISTOR CH 1/16W	100K	1
R301	ERJ2GEJ333	M. RESISTOR CH 1/16W	33K	1
R302	ERJ2GEJ223	M. RESISTOR CH 1/16W	22K	1
R303	ERJ2GEJ333	M. RESISTOR CH 1/16W	33K	1
R304	ERJ2GEJ223	M. RESISTOR CH 1/16W	22K	1
R305	ERJ2GEJ330	M. RESISTOR CH 1/16W	33	1
R306	ERJ2GEJ220	M. RESISTOR CH 1/16W	22	1
R307	ERJ2GEJ330	M. RESISTOR CH 1/16W	33	1
R312	ERJ2GEJ330	M. RESISTOR CH 1/16W	33	1
R313-19	ERJ2GEJ220	M. RESISTOR CH 1/16W	22	7
R320	ERJ2GEJ333	M. RESISTOR CH 1/16W	33K	1
R321	ERJ2GEJ223	M. RESISTOR CH 1/16W	22K	1
R324	ERJ2GEJ220	M. RESISTOR CH 1/16W	22	1
R325	ERJ2GEJ103	M. RESISTOR CH 1/16W	10K	1
R326, 27	ERJ2GEJ470	M. RESISTOR CH 1/16W	47	2
R328	EXBN8V220J	COMBI. R-R	22	1
R329	ERJ2GEJ330	M. RESISTOR CH 1/16W	33	1
R330-33	ERJ2GEJ560	M. RESISTOR CH 1/16W	56	4
R334, 35	EXBN8V470J	COMBI. R-R	47	2
R336, 37	ERJ2GEJ330	M. RESISTOR CH 1/16W	33	2
R338	ERJ2GEJ220	M. RESISTOR CH 1/16W	22	1
R339	EXBN8V470J	COMBI. R-R	47	1
R340, 41	ERJ2GEJ103	M. RESISTOR CH 1/16W	10K	2
R343	ERJ2GEJ104	M. RESISTOR CH 1/16W	100K	1
R344, 45	ERJ2GEJ560	M. RESISTOR CH 1/16W	56	2
R346	ERJ2GEJ101	M. RESISTOR CH 1/16W	100	1
R347	ERJ2GEJ102	M. RESISTOR CH 1/16W	1K	1
TP200	EYF6CU	TEST POINT		1
ZA102-05	K4CDO1000017	TERMINAL		4
		MISCELLANEOUS		
	VMZ3478	CARD SLOT BARRIER B		1
	VMP9229	P2 CARD FRAME		1
	VMZ3726	CARD COVER SHEET B		1
	VMT1862	GASKET		1
	VMZ3720	CARD COVER SHEET		2
	XYN2+J6FJ	SCREW		6

Components identified with the mark Δ have the special characteristics for safety. When replacing any of these components, use only the same type.

Ref.No.	Part No.	Part Name & Description	Pcs	Remarks
■ E6	VEP001Y3A	SD CARD P. C. BOARD	1	(RTL)
C1	F1G1C1030008	C. CAPACITOR CH 16V 0.01U	1	
C2	F1J0J106A020	C. CAPACITOR CH6. 3V 10U	1	
CN1	K1KB20AA0181	CONNECTOR (FEMALE)	1	
CN2	K1NA09E00038	CONNECTOR	1	
D1	LNJ310M6JRA	DIODE	1	
R1-R4	ERJ3GEY0R00	M. RESISTOR CH 1/16W 0	4	
R5-10	ERJ2GEJ220	M. RESISTOR CH 1/16W 22	6	
ZA1-A3	K4CD01000017	TERMINAL	3	
		MISCELLANEOUS		
	VGF1089	SD CARD COVER	1	
■ E7	VEP04945A	REAR JACK P. C. BOARD	1	(RTL)
C101-03	ECJ1VB2A471K	C. CAPACITOR CH100V 470P	3	
C104	ECJ1VF1H103Z	C. CAPACITOR CH 50V 0.01U	1	
C105-07	ECJ1VB2A471K	C. CAPACITOR CH100V 470P	3	
C108	ECJ1VF1H103Z	C. CAPACITOR CH 50V 0.01U	1	
C109-12	ECJ1VB2A471K	C. CAPACITOR CH100V 470P	4	
CN101	K1MN24AA0018	CONNECTOR	1	
D101	KR5009X-1CDE	LED	1	
JK101, 02	K1AY103A0001	CONNECTOR	2	
L101-06	JOJCC0000118	FILTER	6	
L107-10	G1C100JA0041	COIL 10UH	4	
R103-06	ERJ12YJ682	M. RESISTOR CH 1/2W 6.8K	4	
R107	ERJ3RBD223	M. RESISTOR CH 1/16W 22K	1	
R108	ERJ3RBD332	M. RESISTOR CH 1/16W 3.3K	1	
R109	ERJ3RBD471	M. RESISTOR CH 1/16W 470	1	
R110, 11	ERJ3RBD223	M. RESISTOR CH 1/16W 22K	2	
R112	ERJ3RBD332	M. RESISTOR CH 1/16W 3.3K	1	
R113	ERJ3RBD471	M. RESISTOR CH 1/16W 470	1	
R114	ERJ3RBD223	M. RESISTOR CH 1/16W 22K	1	
R115-17	ERJ3GEY0R00	M. RESISTOR CH 1/16W 0	3	
SW101, 02	KOD143A00008	SWITCH	2	
		MISCELLANEOUS		
	VMX3636	XLR SPACER	2	
	VMX2162	LED SPACER	1	
■ E8	EP001Z5A	BATT IF P. C. BOARD	1	(RTL)
C1, C2	ECJ1VB1H223K	C. CAPACITOR CH 50V 0.022U	2	
C3, C4	F1G1A1040006	C. CAPACITOR CH 10V 0.01U	2	
C5, C6	ECJ1VB1H222K	C. CAPACITOR CH 50V 2200P	2	
C7, C8	ECJ1VC1H101J	C. CAPACITOR CH 50V 100P	2	
CN1, N2	K1KA04B00153	CONNECTOR (MALE)	2	
ZA1	K4CD01000017	TERMINAL	1	

Ref.No.	Part No.	Part Name & Description	Pcs	Remarks
		MISCELLANEOUS		
	VEE1F34	ANTON BOX U2 CABLE	1	
	VEE1F35	ANTON BOX U3 CABLE	1	
■ E9	VEP01A20A	DC IN P. C. BOARD	1	(RTL)
D1	BOEAKR000059	DIODE	1	
JK1	K1AA104H0038	CONNECTOR (MALE)	1	
		MISCELLANEOUS		
	VEE1F36	EXT DC IN 1 CABLE	1	
Δ	VEE1F37	EXT DC IN 2 CABLE	1	
■ E10	VEP001Y7A	R SIDE1 P. C. BOARD	1	(RTL)
C1101-03	F1G1A1040006	C. CAPACITOR CH 10V 0.01U	3	
C1104	F1J0J106A020	C. CAPACITOR CH6. 3V 10U	1	
C1105	F1G1A1040006	C. CAPACITOR CH 10V 0.01U	1	
C1106-12	F1G1H330A565	C. CAPACITOR CH 50V 33P	7	
C1113	F1H1C105A118	C. CAPACITOR CH 16V 1U	1	
C1114	F1J0J106A020	C. CAPACITOR CH6. 3V 10U	1	
C1115	F1H1C105A118	C. CAPACITOR CH 16V 1U	1	
C1116	F1J0J106A020	C. CAPACITOR CH6. 3V 10U	1	
C1117	F1H1C105A118	C. CAPACITOR CH 16V 1U	1	
C1118	F1J0J106A020	C. CAPACITOR CH6. 3V 10U	1	
C1119	F1H1C105A118	C. CAPACITOR CH 16V 1U	1	
C1120	F1J0J106A020	C. CAPACITOR CH6. 3V 10U	1	
C1123	F1G1A1040006	C. CAPACITOR CH 10V 0.01U	1	
C1124	F1J0J106A020	C. CAPACITOR CH6. 3V 10U	1	
C1125	F1G1A1040006	C. CAPACITOR CH 10V 0.01U	1	
C1225-31	F1G1A1040006	C. CAPACITOR CH 10V 0.01U	7	
C1301	F1G1A1040006	C. CAPACITOR CH 10V 0.01U	1	
C1302	ECJ3YB1C106K	C. CAPACITOR CH 16V 10U	1	
C1303	F1G1A1040006	C. CAPACITOR CH 10V 0.01U	1	
C1304, 05	F1G1E1030005	C. CAPACITOR CH 25V 0.01U	2	
C1401-05	ECJ1VB1H104K	C. CAPACITOR CH 50V 0.1U	5	
C1406	F1L1A4760003	C. CAPACITOR CH 16V 47U	1	
CN1101	K1KY40B00012	CONNECTOR	1	
CN1102	K1MN30BA0059	CONNECTOR	1	
CN1301	K1KA15B00052	CONNECTOR (MALE)	1	
CN1302	K1KA02B00157	CONNECTOR (MALE)	1	
D1301-03	MA3J14700L	DIODE	3	
D1401, 02	MA3J142D0L	DIODE	2	
IC1101	C0CBCBC00053	IC	1	
IC1102	C0CBCBC00049	IC	1	
IC1103	C0CBCYY00015	IC	1	
IC1104	C0CBCY000021	IC	1	
IC1105	COJBAB000686	IC	1	
IC1201-03	COJBAG000080	IC	3	
IC1204, 05	COJBAZ002934	IC	2	
IC1206	COZBZ0000992	IC	1	
IC1207	COJBAZ002328	IC	1	
IC1301, 02	COJBAB000621	IC	2	

Ref. No.	Part No.	Part Name & Description	Pcs	Remarks
L1101.02	JOJHC0000032	FILTER	2	
L1103.04	JOJDC0000102	FILTER	2	
L1105	JOMAB0000225	FILTER	1	
Q1401	XP0121300L	TRANSISTOR	1	
Q1402.03	UNR9113J0L	TRANSISTOR	2	
Q1404.05	UNR9213J0L	TRANSISTOR	2	
Q1406	XN0460100L	TRANSISTOR-RESISTOR	1	
Q1407.08	UNR9213J0L	TRANSISTOR	2	
Q1409	UNR9113J0L	TRANSISTOR	1	
Q1410.11	UNR9213J0L	TRANSISTOR	2	
R1101.02	ERJ2GEJ220	M. RESISTOR CH 1/16W 22	2	
R1103-07	ERJ2RHD101	M. RESISTOR CH 1/16W 100	5	
R1109	ERJ2RHD101	M. RESISTOR CH 1/16W 100	1	
R1110-13	ERJ3GEYOR00	M. RESISTOR CH 1/16W 0	4	
R1115-17	ERJ3GEYOR00	M. RESISTOR CH 1/16W 0	3	
R1201.02	EXBN8V473J	COMBI. R-R 47K	2	
R1203-10	DOYAR0000007	M. RESISTOR CH 1/16W 0	8	
R1211.12	EXBN8V473J	COMBI. R-R 47K	2	
R1213-20	DOYAR0000007	M. RESISTOR CH 1/16W 0	8	
R1221.22	EXBN8V473J	COMBI. R-R 47K	2	
R1223-30	DOYAR0000007	M. RESISTOR CH 1/16W 0	8	
R1231-33	ERJ2GEJ220	M. RESISTOR CH 1/16W 22	3	
R1234.35	ERJ2GEJ121	M. RESISTOR CH 1/16W 120	2	
R1236	ERJ2RHD473	M. RESISTOR CH 1/16W 47K	1	
R1301.02	ERJ2RHD272	M. RESISTOR CH 1/16W 2.7K	2	
R1303.04	ERJ2RHD103	M. RESISTOR CH 1/16W 10K	2	
R1307	ERJ2GEJ152	M. RESISTOR CH 1/16W 1.5K	1	
R1401	DOG8103JA002	M. RESISTOR CH 1/16W 10K	1	
R1402	ERJ3GEYJ473	M. RESISTOR CH 1/16W 47K	1	
R1403	ERJ3GEYJ274	M. RESISTOR CH 1/16W 270K	1	
R1404-12	ERJ3GEYJ473	M. RESISTOR CH 1/16W 47K	9	
SW1101	KOKABA000013	SWITCH	1	
SW1301-07	VST0335	SWITCH	7	
SW1308	KOG119A00024	SWITCH	1	
VR1101.02	D2BCA14Y0014	V. RESISTOR 10K	2	
ZA1101.02	K4CD01000017	TERMINAL	2	
■ E11	VEP001Z2A	R SIDE2 P. C. BOARD	1	(RTL)
B2101	N4EZY2Y0001	BUTTON BATTERY	1	
C2101.02	F1G1A1040006	C. CAPACITOR CH 10V 0.01U	2	
C2103	F1H1C105A118	C. CAPACITOR CH 16V 1U	1	
C2104	F1J0J106A020	C. CAPACITOR CH6.3V 10U	1	
C2105	F1H1C105A118	C. CAPACITOR CH 16V 1U	1	
C2106	F1J0J106A020	C. CAPACITOR CH6.3V 10U	1	
C2108	ECJ1VB1H103K	C. CAPACITOR CH 50V 0.01U	1	
C2333-38	F1G1A1040006	C. CAPACITOR CH 10V 0.01U	6	
CN2101	K1MN30AA0018	CONNECTOR	1	
CN2102	K1KA02BA0047	CONNECTOR (MALE)	1	
CN2103	K1KA04B00153	CONNECTOR (MALE)	1	
D2104	LN386CPX	LED	1	
D2105	B3AAA0000591	LED	1	
IC2101.02	C0CBCBC00053	IC	2	
IC2301-04	C0JBAQ000080	IC	4	
IC2305.06	C0JBAZ002934	IC	2	
L2101	JOJHC0000032	FILTER	1	
Q2104.05	XP0431N00L	TRANSISTOR	2	
R2101.02	ERJ3GEYOR00	M. RESISTOR CH 1/16W 0	2	
R2103-06	ERJ2RHD512	M. RESISTOR CH 1/16W 5.1K	4	
R2110.11	ERJ3GEYJ221	M. RESISTOR CH 1/16W 220	2	

Ref. No.	Part No.	Part Name & Description	Pcs	Remarks
R2112.13	ERJ3GEYOR00	M. RESISTOR CH 1/16W 0	2	
R2117.18	ERJ6GEY6681	M. RESISTOR CH 1/10W 680	2	
R2301.02	EXBN8V473J	COMBI. R-R 47K	2	
R2303-10	DOYAR0000007	M. RESISTOR CH 1/16W 0	8	
R2311.12	EXBN8V473J	COMBI. R-R 47K	2	
R2313-20	DOYAR0000007	M. RESISTOR CH 1/16W 0	8	
R2321.22	EXBN8V473J	COMBI. R-R 47K	2	
R2323-30	DOYAR0000007	M. RESISTOR CH 1/16W 0	8	
R2331.32	EXBN8V473J	COMBI. R-R 47K	2	
R2333-40	DOYAR0000007	M. RESISTOR CH 1/16W 0	8	
R2341-43	ERJ2GEJ220	M. RESISTOR CH 1/16W 22	3	
SW2201-03	VSP1005	SWITCH	3	
SW2204-07	EVOPHL03T	SWITCH	4	
SW2208-16	VSP1005	SWITCH	9	
SW2217	VSS0187	SWITCH	1	
SW2218-20	VSS0186	SWITCH	3	
SW2221-23	VSS0187	SWITCH	3	
SW2225.26	VSS0187	SWITCH	2	
SW2227	VSS0186	SWITCH	1	
VR2101.02	D2BCA14Y0014	V. RESISTOR 10K	2	
ZA2101.02	K4CD01000017	TERMINAL	2	
		MISCELLANEOUS		
	VMX2188030	SWITCH	2	
	VGG9431	OPERATION RUBBER BASE (B)	1	
	VMG1876	LED SHEET	1	
	VGG9649	AUDIO VOLUME BOX	1	
	VMX3656	VOLUME SPACER	2	
	VMT1825	WATERPROOF CUSHION	1	
	VGH3361	VR NAME PLATE	2	
	VGU9302	VR KNOB REAR	2	
	VMB3907	HELICAL SPRING	2	
	VMG1505	WATERPROOF RUBBER SHEET	2	
	VGU7688	SLIDE SW COVER	6	
	VMT1940	PCB HOLD CUSHION	1	
	XQN2-BJ5FJK	SCREW	3	
■ E12	VEP001Z3A	L SIDE JACK P. C. BOARD	1	(RTL)
C1101	F3G1D106A020	T. CAPACITOR CH 20V 10U	1	
C1102	F1H1C105A096	C. CAPACITOR CH 16V 1U	1	
C1103	F1G1H1020008	C. CAPACITOR CH 50V 1000P	1	
C1104.05	F1G1H101A565	C. CAPACITOR CH 50V 100P	2	
C1106-09	F1G1C1040010	C. CAPACITOR CH 16V 0.1U	4	
C1110	F1G1H101A565	C. CAPACITOR CH 50V 100P	1	
C1111	F1G1C1040010	C. CAPACITOR CH 16V 0.1U	1	
C1112	F1G1H101A565	C. CAPACITOR CH 50V 100P	1	
C1113	F1G1C1040010	C. CAPACITOR CH 16V 0.1U	1	
C1115	F3G1D106A020	T. CAPACITOR CH 20V 10U	1	
C1116	F1G1C1040010	C. CAPACITOR CH 16V 0.1U	1	
C1117	F1K1E1060004	C. CAPACITOR CH 25V 10U	1	
C1118	F1K1C475A062	C. CAPACITOR CH 16V 4.7U	1	
C1119.20	F1H1C105A096	C. CAPACITOR CH 16V 1U	2	
C1121-24	ECJ2FB1C225K	C. CAPACITOR CH 16V 2.2U	4	
C1125.26	F1K1C475A062	C. CAPACITOR CH 16V 4.7U	2	
C1127	F1H1C105A096	C. CAPACITOR CH 16V 1U	1	
C1128	F1K1C475A062	C. CAPACITOR CH 16V 4.7U	1	
C1129-34	ECJ2FB1C225K	C. CAPACITOR CH 16V 2.2U	6	
C1137	F1G1H1020008	C. CAPACITOR CH 50V 1000P	1	
CN1101	K1MN27B00036	CONNECTOR	1	
CN1102	K1MN12BA0059	CONNECTOR	1	
CN1103	K1MN39BA0132	CONNECTOR	1	
CN1104	K1MY29BA0338	CONNECTOR	1	
D1101	MA8120-M	DIODE	1	
D1102.03	MA2SD2400L	DIODE	2	

Ref.No.	Part No.	Part Name & Description	Pcs	Remarks
IC1101	C1CB0003189	IC	1	
L1101	JOJKC0000099	FILTER	1	
L1102	JOMAB0000225	FILTER	1	
L1103	JOJKC0000099	FILTER	1	
L1104	JOJDC0000099	FILTER	1	
Q1101-08	2SD2216JOL	TRANSISTOR	8	
Q1109	B1ADCE000018	TRANSISTOR	1	
R1103, 04	ERJ3GEY0R00	M. RESISTOR CH 1/16W	0 2	
R1105	ERJ2GEJ330	M. RESISTOR CH 1/16W	33 1	
R1106, 07	ERJ2GEJ470	M. RESISTOR CH 1/16W	47 2	
R1108	DOYAR0000007	M. RESISTOR CH 1/16W	0 1	
R1109	EXBN8V330J	COMBI. R-R	33 1	
R1110	ERJ2RHD102	M. RESISTOR CH 1/16W	1K 1	
R1111-13	ERJ2RKD270	M. RESISTOR CH 1/16W	27 3	
R1114	DOYAR0000007	M. RESISTOR CH 1/16W	0 1	
R1116	ERJ2RKD270	M. RESISTOR CH 1/16W	27 1	
R1117	ERJ2RHD103	M. RESISTOR CH 1/16W	10K 1	
R1118-21	ERJ2RKD270	M. RESISTOR CH 1/16W	27 4	
R1122	ERJ2GEJ330	M. RESISTOR CH 1/16W	33 1	
R1125	ERJ2RHD472	M. RESISTOR CH 1/16W	4.7K 1	
R1126-31	EXBN8V330J	COMBI. R-R	33 6	
R1132	ERJ2RHD223	M. RESISTOR CH 1/16W	22K 1	
R1133, 34	ERJ2RHD103	M. RESISTOR CH 1/16W	10K 2	
R1135	DOYAR0000007	M. RESISTOR CH 1/16W	0 1	
R1139, 40	ERJ3GEY0R00	M. RESISTOR CH 1/16W	0 2	
ZA1101	K4CD01000017	TERMINAL	1	
■ E13	VEP08357A	LCD IF P. C. BOARD	1	(RTL)
CN601	K1KA05A00218	CONNECTOR (MALE)	1	
R605-08	ERJ3GEY0R00	M. RESISTOR CH 1/16W	0 4	
SW601	VST0195	SWITCH	1	
SW602	VST0194	SWITCH	1	
		MISCELLANEOUS		
	VMP9223	FRONT TOGGLE PLATE	1	
■ E14	VEP001Y5A	FRONT SW P. C. BOARD	1	(RTL)
CN601	K1KA02B00157	CONNECTOR (MALE)	1	
SW601	K0E112G00033	SWITCH	1	
■ E15	VEP001Z4A	POWER SW P. C. BOARD	1	(RTL)
CN9001	K1KA03B00139	CONNECTOR (MALE)	1	
SW9001	K0D122B00054	SWITCH	1	
SW9002	VST0335	SWITCH	1	
ZA9001	K4CD01000017	TERMINAL	1	

Ref.No.	Part No.	Part Name & Description	Pcs	Remarks
■ E16	VEP001Z6A	HANDLE SW P. C. BOARD	1	(RTL)
CN9401	K1KA08B00192	CONNECTOR (MALE)	1	
R9401, 02	ERJ3GEY0R00	M. RESISTOR CH 1/16W	0 2	
SW9401	K0E112G00029	SWITCH	1	
SW9402-04	K0E112G00030	SWITCH	3	
■ E17	VEP001Z1A	TOGGLE SW P. C. BOARD	1	(RTL)
C1-C3	ECJ1VB2A471K	C. CAPACITOR CH100V	470P 3	
C4	ECJ1VF1H103Z	C. CAPACITOR CH 50V	0.01U 1	
C5, C6	ECJ1VB2A471K	C. CAPACITOR CH100V	470P 2	
C7, C8	EEEFK1J4R7	E. CAPACITOR	63V 4.7U 2	
C9-12	F1G1C104A083	C. CAPACITOR CH 16V	0.1U 4	
C13, 14	F1G1H330A565	C. CAPACITOR CH 50V	33P 2	
C15	EEEFK1J4R7	E. CAPACITOR	63V 4.7U 1	
C16	F1H1C105A118	C. CAPACITOR CH 16V	1U 1	
C17	ECJ3YB1C106K	C. CAPACITOR CH 16V	10U 1	
C18	F1H1C105A118	C. CAPACITOR CH 16V	1U 1	
C19	ECJ3YB1C106K	C. CAPACITOR CH 16V	10U 1	
C20-29	F1G1H101A565	C. CAPACITOR CH 50V	100P 10	
CN1	K1KY20B00011	CONNECTOR	1	
CN2	K1KA10A00192	CONNECTOR (MALE)	1	
D1, D2	MA3S13300L	DIODE	2	
D3	MA3J74200L	DIODE	1	
IC1	COABBB000032	IC	1	
IC2	COJBAR000432	IC	1	
IC3	COCBDC000008	IC	1	
IC4	XC62DN5002M	IC	1	
JK1	K1AY103A0001	CONNECTOR	1	
L1-L3	JOJCC0000118	FILTER	3	
L4, L5	G1C100JA0041	COIL	10UH 2	
L6-15	JOJBC0000019	FILTER	10	
Q1	2SD1821OHL	TRANSISTOR	1	
Q2	UNR9113JOL	TRANSISTOR	1	
Q3	UNR9213JOL	TRANSISTOR	1	
R1, R2	ERJ12YJ682	M. RESISTOR CH 1/2W	6.8K 2	
R3	ERJ3GEYJ392	M. RESISTOR CH 1/16W	3.9K 1	
R4, R5	ERJ2RHD473	M. RESISTOR CH 1/16W	47K 2	
R6, R7	ERJ2RHD101	M. RESISTOR CH 1/16W	100 2	
R8	ERJ2RHD561	M. RESISTOR CH 1/16W	560 1	
R9	ERJ2RHD151	M. RESISTOR CH 1/16W	150 1	
R10	ERJ2RHD152	M. RESISTOR CH 1/16W	1.5K 1	
R11	ERJ2RHD122	M. RESISTOR CH 1/16W	1.2K 1	
R12, 13	ERJ2RHD472	M. RESISTOR CH 1/16W	4.7K 2	
R14	ERJ3GEYJ273	M. RESISTOR CH 1/16W	27K 1	
R15, 16	ERJ2GEJ474	M. RESISTOR CH 1/16W	470K 2	
R17, 18	ERJ3GEY0R00	M. RESISTOR CH 1/16W	0 2	
R20	ERJ2RHD473	M. RESISTOR CH 1/16W	47K 1	
R21	ERJ3GEY0R00	M. RESISTOR CH 1/16W	0 1	
		MISCELLANEOUS		
	VMP9231	FRONT MIC ANGLE	1	
	VMX3636	XLR SPACER	1	
	XYN2+J6FJ	SCREW	1	

Ref.No.	Part No.	Part Name & Description	Pcs	Remarks
■ E18	VEP04946A	F MIC P. C. BOARD	1	(RTL)
C1-C4	F3G1A336A035	T. CAPACITOR CH6. 3V 33U	4	
C104	ECJOEC1H101J	C. CAPACITOR CH 50V 100P	1	
C105	ECJOEB1A104K	C. CAPACITOR CH 10V 0.1U	1	
C106	ECJOEC1H101J	C. CAPACITOR CH 50V 100P	1	
C107	ECJOEB1A104K	C. CAPACITOR CH 10V 0.1U	1	
C108	ECJOEC1H101J	C. CAPACITOR CH 50V 100P	1	
C109	ECJOEB1A104K	C. CAPACITOR CH 10V 0.1U	1	
C110	ECJOEC1H101J	C. CAPACITOR CH 50V 100P	1	
C111	ECJOEB1A104K	C. CAPACITOR CH 10V 0.1U	1	
C112	ECJOEC1H101J	C. CAPACITOR CH 50V 100P	1	
C113	ECJOEB1A104K	C. CAPACITOR CH 10V 0.1U	1	
C114	ECJ1VBOJ105K	C. CAPACITOR CH 35V 1M	1	
C115-18	ECJOEB1A104K	C. CAPACITOR CH 10V 0.1U	4	
C119	ECJ2FBOJ106K	C. CAPACITOR CH 50V 10U	1	
C120-22	ECJOEC1H101J	C. CAPACITOR CH 50V 100P	3	
C123, 24	ECJOEB1C103K	C. CAPACITOR CH 16V 0.01U	2	
C125, 26	ECJOEB1A104K	C. CAPACITOR CH 10V 0.1U	2	
C127-29	ECJ2FBOJ106K	C. CAPACITOR CH 50V 10U	3	
C201	ECJ2FBOJ106K	C. CAPACITOR CH 50V 10U	1	
C202	ECJOEB1A104K	C. CAPACITOR CH 10V 0.1U	1	
C203	ECJOEC1H101J	C. CAPACITOR CH 50V 100P	1	
C205, 06	ECJ2FBOJ106K	C. CAPACITOR CH 50V 10U	2	
C208	ECJOEB1A104K	C. CAPACITOR CH 10V 0.1U	1	
C209, 10	ECJOEC1H101J	C. CAPACITOR CH 50V 100P	2	
C212	ECJOEB1A104K	C. CAPACITOR CH 10V 0.1U	1	
C214-18	ECJOEB1A104K	C. CAPACITOR CH 10V 0.1U	5	
C219	ECJOEC1H101J	C. CAPACITOR CH 50V 100P	1	
CN1	K1KY40B00015	CONNECTOR	1	
FL101-03	JOMAB0000169	FILTER	3	
IC105-07	COJBAA000511	IC	3	
IC110	COJBAA000511	IC	1	
IC111	C1CB00002542	IC	1	
IC112	COJBCZ000563	IC	1	
IC201	G4ZZ00000059	IC	1	
L1-L4	JOJHC0000032	FILTER	4	
L101	JOMAB0000225	FILTER	1	
L102-05	JOJCC0000405	FERRITE CORE	4	
L108	JOJCC0000405	FERRITE CORE	1	
L110-12	JOJCC0000405	FERRITE CORE	3	
L202-04	JOJHC0000032	FILTER	3	
R101-03	ERJ2GEJ330	M. RESISTOR CH 1/16W 33	3	
R104	ERJ2GEJ473	M. RESISTOR CH 1/16W 47K	1	
R105	ERJ2GEJ101	M. RESISTOR CH 1/16W 100	1	
R106	ERJ2GEJ330	M. RESISTOR CH 1/16W 33	1	
R107	ERJ2GEJ102	M. RESISTOR CH 1/16W 1K	1	
R108-10	ERJ2GEJ330	M. RESISTOR CH 1/16W 33	3	
R111-13	DOYAR0000007	M. RESISTOR CH 1/16W 0	3	
R114	ERJ2GEJ330	M. RESISTOR CH 1/16W 33	1	
R115	DOYAR0000007	M. RESISTOR CH 1/16W 0	1	
R116	ERJ3RBD332	M. RESISTOR CH 1/16W 3.3K	1	
R117	ERJ3RBD122	M. RESISTOR CH 1/16W 1.2K	1	
R118	ERJ2GEJ473	M. RESISTOR CH 1/16W 47K	1	
R119	DOYAR0000007	M. RESISTOR CH 1/16W 0	1	
R201	DOYAR0000007	M. RESISTOR CH 1/16W 0	1	
R202	ERJ2GEJ330	M. RESISTOR CH 1/16W 33	1	
R203-08	EXB28V330J	COMBI. R-R 33	6	
R209, 10	DOYAR0000007	M. RESISTOR CH 1/16W 0	2	
R211	EXB28V330J	COMBI. R-R 33	1	
R212	ERJ2GEJ473	M. RESISTOR CH 1/16W 47K	1	
R213	EXB28V330J	COMBI. R-R 33	1	
R214	ERJ3GEY0R00	M. RESISTOR CH 1/16W 0	1	
■ E19	VEP80D27A	POS SENSOR P. C. BOARD	1	(RTL)

Ref.No.	Part No.	Part Name & Description	Pcs	Remarks
C1, C2	F1H1C104A042	C. CAPACITOR CH 16V 0.1U	2	
IC1-C3	COJBAB000629	IC	3	
P1	K1FA104A0012	CONNECTOR	1	
PC1-C3	B3NAA0000090	PHOTO INTERRUPTER	3	
QR1	UNR9113JOL	TRANSISTOR	1	
R1-R3	ERJ3GEYJ681	M. RESISTOR CH 1/16W 680	3	
R4-R6	ERJ3GEYJ104	M. RESISTOR CH 1/16W 100K	3	
R7, R8	ERJ3RBD333	M. RESISTOR CH 1/16W 33K	2	
R9	ERJ3RBD683	M. RESISTOR CH 1/16W 68K	1	
■ E20	VEP001Y6A	REC BUTTON P. C. BOARD	1	(RTL)
CN611	K1KA02A00164	CONNECTOR (MALE)	1	
R612, 13	ERJ3GEY0R00	M. RESISTOR CH 1/16W 0	2	
SW611	VST0335	SWITCH	1	
■ E21	VEP001Y8A	RELAY P. C. BOARD	1	(RTL)
C11-18	F1G1H101A565	C. CAPACITOR CH 50V 100P	8	
CN11	K1KY20BA0135	CONNECTOR	1	
CN12	K1KA11B00052	CONNECTOR (MALE)	1	
CN13	K1MN30BA0059	CONNECTOR	1	
L11-17	JOJBC0000019	FILTER	7	
L18	JOJHC0000032	FILTER	1	
R1, R2	ERJ3GEY0R00	M. RESISTOR CH 1/16W 0	2	
■ E22	VEP001Y9A	MENU P. C. BOARD	1	(RTL)
CN21	K1KA05B00134	CONNECTOR (MALE)	1	
SW21	EVQWK4001	JOG ENCODER SW	1	
SW22	KOH1BA000300	SWITCH	1	
■ E23	VEP04947A	PHONE P. C. BOARD	1	(RTL)
C421, 22	ECJ1VC1H102J	C. CAPACITOR CH 50V 1000P	2	
CN421	K1FA104A0012	CONNECTOR	1	
JK421	K2HC103B0202	JACK	1	
L421, 22	VLP0147	COIL	2	
R425, 26	ERJ3GEY0R00	M. RESISTOR CH 1/16W 0	2	

Components identified with the mark Δ have the special characteristics for safety.
When replacing any of these components, use only the same type.

Ref. No.	Part No.	Part Name & Description	Pcs	Remarks
■ E24	VEP08358A	EVF IF P. C. BOARD	1	(RTL)
C1149	F1G1C1040010	C. CAPACITOR CH 16V 0.1U	1	
C1150-52	F1G1H1020008	C. CAPACITOR CH 50V 1000P	3	
C1153, 54	F1H1C105A096	C. CAPACITOR CH 16V 1U	2	
C1155	F1G1H1020008	C. CAPACITOR CH 50V 1000P	1	
C1156	F1H1C105A096	C. CAPACITOR CH 16V 1U	1	
C1157	F1G1H1020008	C. CAPACITOR CH 50V 1000P	1	
C1158	F1H1C105A096	C. CAPACITOR CH 16V 1U	1	
C1159	F1G1H101A565	C. CAPACITOR CH 50V 100P	1	
C1160	F1G1C1040010	C. CAPACITOR CH 16V 0.1U	1	
C1161	F1G1H1020008	C. CAPACITOR CH 50V 1000P	1	
C1162	F1H1C105A096	C. CAPACITOR CH 16V 1U	1	
C1163	F1G1H101A565	C. CAPACITOR CH 50V 100P	1	
C1164	F1G1H1020008	C. CAPACITOR CH 50V 1000P	1	
C1165	F1H1C105A096	C. CAPACITOR CH 16V 1U	1	
C1166-70	F1G1C1040010	C. CAPACITOR CH 16V 0.1U	5	
C1171, 72	F1G1H101A565	C. CAPACITOR CH 50V 100P	2	
C1173, 74	F1G1C1040010	C. CAPACITOR CH 16V 0.1U	2	
C1179	F1G1H1020008	C. CAPACITOR CH 50V 1000P	1	
CN1151	K1MN45B00033	CONNECTOR	1	
CN1152	K1KY20B00012	CONNECTOR	1	
FL1151	JOMAB0000169	FILTER	1	
IC1151	C0CBCAC00060	IC	1	
IC1152	C0CBCBD00029	IC	1	
IC1153	C1CB00003193	IC	1	
L1151-54	JOJHC0000032	FILTER	4	
L1155	JOJDC0000099	FILTER	1	
R1151	ERJ2RHD103	M. RESISTOR CH 1/16W 10K	1	
R1153-58	EXBN8V470J	COMBI. R-R	47	6
R1159, 60	ERJ2RKD470	M. RESISTOR CH 1/10W 47	2	
R1162	EXBN8V470J	COMBI. R-R	47	1
R1163	ERJ2RHD103	M. RESISTOR CH 1/16W 10K	1	
R1165	ERJ2RKD470	M. RESISTOR CH 1/10W 47	1	
R1166	DOYAR0000007	M. RESISTOR CH 1/16W 0	1	
■ E25	VEP00127A	HANDLE TALLY P. C. BOARD	1	(RTL)
CN9100	K1KA02B00157	CONNECTOR (MALE)	1	
D9100	B3AAA0000984	LED	1	
R9100	ERJ6GEY0R00	M. RESISTOR CH 1/10W 0	1	
SW9100	K0E122A00036	SWITCH	1	
		MISCELLANEOUS		
	VMX2188020	SPACER	1	
■ E26	VEP08359A	EVF TALLY P. C. BOARD	1	(RTL)
C1184, 85	F1H1C105A096	C. CAPACITOR CH 16V 1U	2	
C1186	F1G1C1040010	C. CAPACITOR CH 16V 0.1U	1	
C1187, 88	F1G1H1020008	C. CAPACITOR CH 50V 1000P	2	
C1189, 90	F1H1C105A096	C. CAPACITOR CH 16V 1U	2	
C1191, 92	F1G1H1020008	C. CAPACITOR CH 50V 1000P	2	
C1198, 99	F1G1H1020008	C. CAPACITOR CH 50V 1000P	2	

Ref. No.	Part No.	Part Name & Description	Pcs	Remarks
CN1180	K1KY20B00012	CONNECTOR	1	
CN1181	K1KA10AA0001	CONNECTOR (MALE)	1	
D1180, 81	B3AAB0000103	DIODE	2	
FL1180	JOMAB0000169	FILTER	1	
IC1180	C0CBCBC00049	IC	1	
L1180	JOJDC0000102	FILTER	1	
L1181, 82	JOJKC0000009	FILTER	2	
R1184	ERJ2GEJ330	M. RESISTOR CH 1/16W 33	1	
R1185	ERJ2GEJ103	M. RESISTOR CH 1/16W 10K	1	
R1192, 93	ERJ2RKD680	M. RESISTOR CH 1/16W 68	2	
R1196, 97	ERJ2RKD680	M. RESISTOR CH 1/16W 68	2	
SW1180	VSS0186	SWITCH	1	
ZA1180, 81	K4CD01000017	TERMINAL	2	
		MISCELLANEOUS		
	VMP9226	EVF PCB ANGLE	1	
	XYN2+J4FJ	SCREW	2	
■ E27	VEP001Z0A	USB CN P. C. BOARD	1	(RTL)
CN1	K1KY10BA0135	CONNECTOR	1	
D1	B0KB00000041	DIODE	1	
D2, D3	D4ED12700007	DIODE	2	
D4	B0KB00000041	DIODE	1	
D5, D6	D4ED12700007	DIODE	2	
JK1	K1FA104B0036	CONNECTOR	1	
JK2	K1FY104B0003	CONNECTOR	1	
L1	JOJCC0000059	FILTER	1	
L2	JOMAB0000212	FILTER	1	
L3	JOJCC0000059	FILTER	1	
L4	JOMAB0000212	FILTER	1	
R1, R2	ERJ3GEY0R00	M. RESISTOR CH 1/16W 0	2	
		MISCELLANEOUS		
	VMP9232	USB ANGLE	1	
	XYN2+J6FJ	SCREW	2	
■ E28	VEP001Y4A	1394 CN P. C. BOARD	1	(RTL)
CN901	K1KA05AA0083	CONNECTOR (MALE)	1	
D901	B0KB00000041	DIODE	1	
D902-05	D4ED12700007	DIODE	4	
JK901	K1KB06BA0028	CONNECTOR (FEMALE)	1	
L901	JOJCC0000059	FILTER	1	
Δ PA901-04	K5H1012A0021	FUSE	4	
R908	ERJ3GEY0R00	M. RESISTOR CH 1/16W 0	1	

